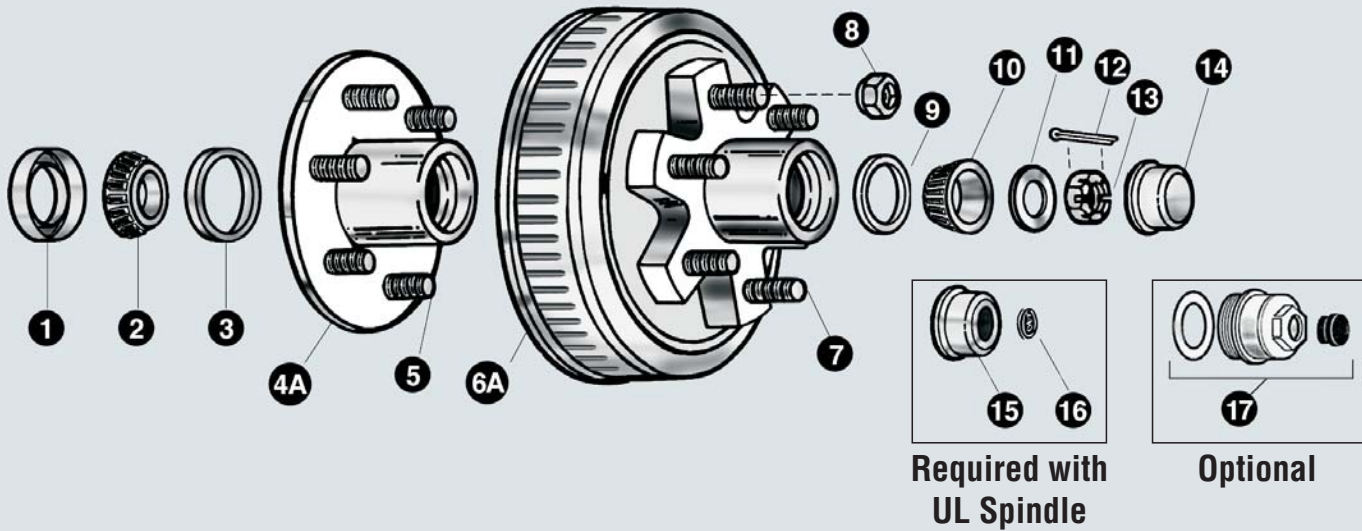
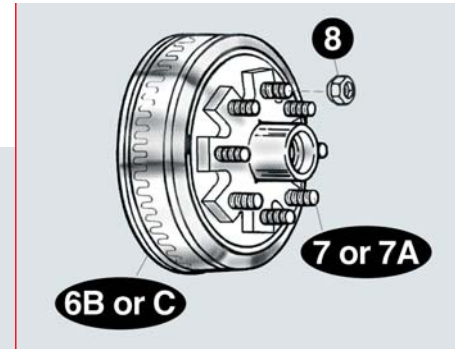


# Service Replacement Parts

## 12" x 2" Hub / Drum



### Parts List

No.	Brake Part Description	AL-KO Part No.	Hayes Part No.	No.	Brake Part Description	AL-KO Part No.	Hayes Part No.
1	Grease Seal Double Lip 2 1/4" Shaft (prior to 1997)	363497	09103304	7A	Stud 1/16" - 18 x 2.75 Long Knurl	363906	09251100
1	Grease Seal Double Lip 2 1/8" Shaft	568862	09103304L	8	Wheel Nut, 1/2" - 20 60° Cone	363203	090608
2	Inner Bearing Cone 25580	363196	093703	8	Wheel Nut, 5/16" - 18 60° Cone	363895	090640
3	Inner Bearing Cone 25520	363911	093701	8	Wheel Nut, 5/8" - 90° Cone	363698	090643
4	Idler Hubs w / Cups & Studs	—	—	9	Outer Bearing Cup (15145)	363916	093725
4A	6 on 5.5" Bolt Circle	363200	09080134	9	Outer Bearing Cup (14276)	363915	093719
4B	8 on 6.5" Bolt Circle	363902	09080448	10A	Outer Bearing Cone (15123)	363420	093709
5	Stud 1/2" - 20 x 2" Long Knurl (zinc)	1530092	09251525	10	Outer Bearing Cone (14125A)	363397	093720
6	Hub & Drum w / Cups & Studs	—	—	11	Spindle Washer 1" x 2" OD	568326	09050901
6A	6 on 5.5" Bolt Circle (15123)	363239	09084604	12	Cotter Pin	363258	091901
6B	8 on 6.5" Bolt Circle (14125A) 1/2"	363236	09089264	13	Spindle Nut 1" - 14	363257	09060101
6B	865 (14125A) 1/2" Oil	363589	—	14	Grease Cap for 15123 Bearing	363199	092101
6C	8 on 6.5" Bolt Circle (14125A) 5/16"	568182	09089324	14	Grease Cap for 14125A Bearing	363419	092110
6C	865 (14125A) 5/16" Oil	568929	—	15	Grease Cap for 15123 Bearing (UL)	363496	09210102
6D	865 (14125A) 5/8" Oil	568698	—	15	Grease Cap for 14125A Bearing (UL)	363775	09210103
6D	865 (14125A) 5/8" Oil	1530003	—	16	Rubber Plug (UL)	568067	09213611
7	Stud 1/2" - 20 x 2.50 Long Knurl (zinc)	1530093	09251512	17	Oil Cap Kit 7K / RT / ST / DR80	K363587	—

5,200 - 7,000 lb.