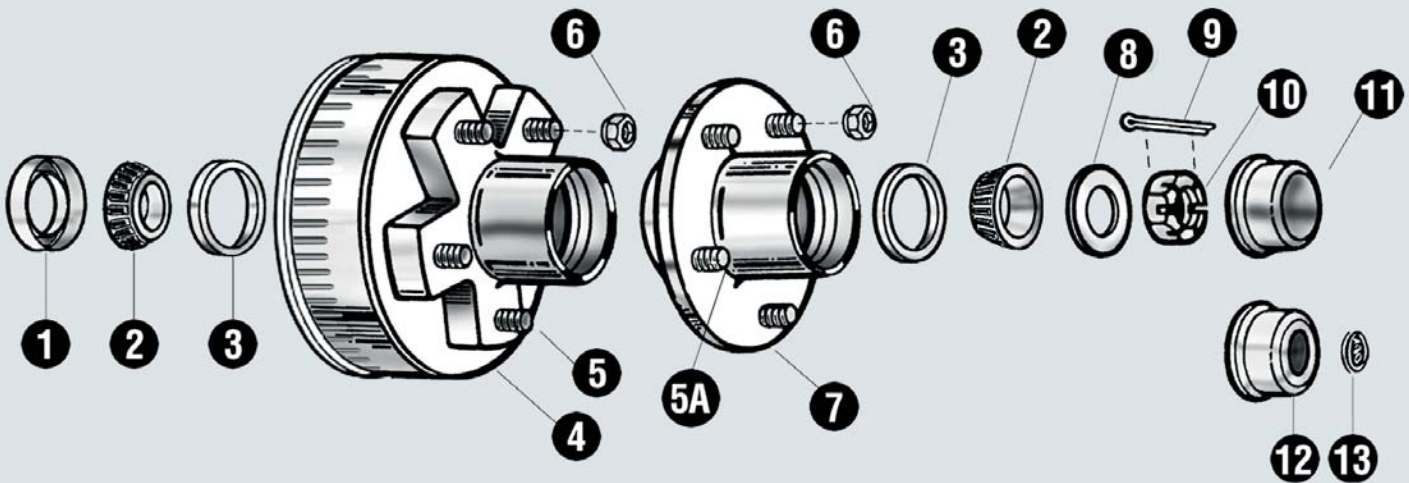


Service Replacement Parts

7" x 1 1/4" Hub / Drum

500 - 2,200 lb.



Parts List

No.	Brake Part Description	AL-KO Part No.	Hayes Part No.	No.	Brake Part Description	AL-KO Part No.	Hayes Part No.
1A	Grease Seal Double Lipped (Rubber Torsion)	568885	—	7	BT Idler Hub, Cupped & Studded	—	—
1B	Grease Seal Double Lipped (Leaf Spring)	568886	—	7A	4 on 4.0" Bolt Circle	363185	09080388
2	Bearing Cone (Inner & Outer) 44649	363180	093706	7B	5 on 4.5" Bolt Circle	363188	09080398
3	Bearing Cup (Inner & Outer) L44610	363913	093707	7C	5 on 4.5" Bolt Circle (Wide Flange)	363190	09080408
4	7" Hub & Drum, Cupped & Studded	—	—	8	Spindle Washer 1" x 1 3/4" O.D.	363259	090509
4A	4 on 4.0" Bolt Circle	363215	—	9	Cotter Pin	363258	091901
4B	5 on 4.5" Bolt Circle	363216	09080220	10	Spindle Nut 1" - 14	363257	090601
5	Stud, 1/2" - 20 x 1.81 Long Knurl	1530092	09251525	11	Grease Cap	363182	092102
5A	Stud, 1/2" - 20 x 1.81 Short Knurl	363908	09251510	12	Grease Cap (UL)	363277	09210101
6	Wheel Nut 1/2" - 20 60° Cone	363203	090608	13	Rubber Plug (UL)	568067	09213611

WARNING:

AL-KO Kober Corporation manufacture hubs and drums that are compatible with many wheels used in the trailer industry that have matching bolt patterns. AL-KO does not manufacture wheels, nor do they recommend a specific wheel for compatibility with the hubs and drums they manufacture. The wheel manufacturer should be contacted for proof of compatibility before use.