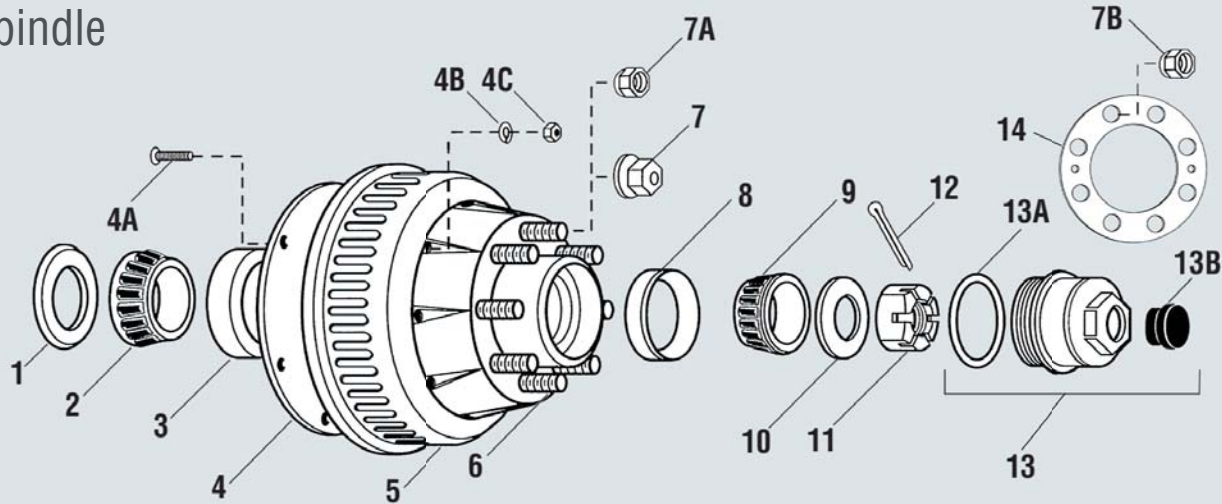


# Hub and Drum Assembly

## General Duty 10K Axle

### 99 Spindle



### Electric or Hydraulic Hub and Drum Assembly

### Features

- The unicast hub and drum assembly has a replaceable steel armature plate for use with electric brakes.
- AL-KO oil caps are molded from high strength polycarbonate to minimize breakage and leakage.

### Parts List

No.	Hub Part Description	AL-KO Part No.	Hayes Part No.	No.	Hub Part Description	AL-KO Part No.	Hayes Part No.
1	Oil Seal	568303	091030	* 7A	Dual Wheel Nut - Fixed Flanged (Coined)	568703	090633
2	Inner Bearing Cone, 28580	568125	093737	* 7B	Single Wheel Nut 5/8" - 18 90° Cone	363698	090643
3	Inner Bearing Cup, 28521	568152	093736	8	Outer Bearing Cup, 25520	363911	093701
◆ 4	Armature Plate	568261	092406	9	Outer Bearing Cone, 25580	363196	093751
◆ 4A	Flat Head Bolt, 1/4" - 20	568263	09070301	10	Spindle Washer	568136	090525
◆ 4B	Lock Washer, 1/4"	568264	090502	11	Spindle Nut	568135	090623
◆ 4C	Hex Nut, 1/4" - 20	568265	090610	12	Cotter Pin	568137	091903
◇*5A	Hub & Drum (F.F.) 4.75" Hub Pilot	568353	09080587	13	Oil Cap Assembly	K568220	K568220
◇ 5B	Hub & Drum (F.F.) 4.88" Hub Pilot	568270	—	13A	O-Ring, Oil Cap	568222	10693
* 5C	Hub & Drum (Coined) 4.75" Hub Pilot	568704	—	13B	Oil Cap Plug	568223	092126
◇* 6	Wheel Stud, 5/8" x 3" for Single & Flat Face	363910	090737	14	Wheel Clamp Ring for 5/8" Studs	568348	—
6	Wheel Stud, 5/8" x 3 1/4" (012) Round	568216	09065602				
◇* 7	Dual Wheel Nut - Swiveling Flange 5/8" - 18	568216	09065602				

◇ Used with Flat Face Wheels ◆ For Electric Brake Only

\* Used with Coined Wheel \* Used with Single Wheel and/or Clamp

Ring

### WARNING:

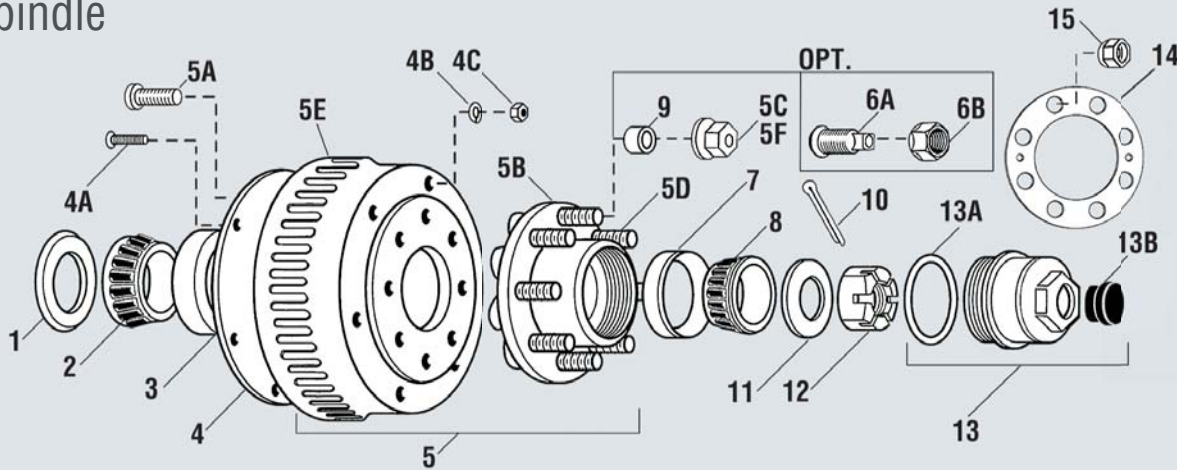
AL-KO Kober Corporation manufacture hubs and drums that are compatible with many wheels used in the trailer industry that have matching bolt patterns. AL-KO does not manufacture wheels, nor do they recommend a specific wheel for compatibility with the hubs and drums they manufacture. The wheel manufacturer should be contacted for proof of compatibility before use.

# Hub and Drum Assembly

## Heavy Duty 10K and 12K Axles



### 120 Spindle



### Parts List

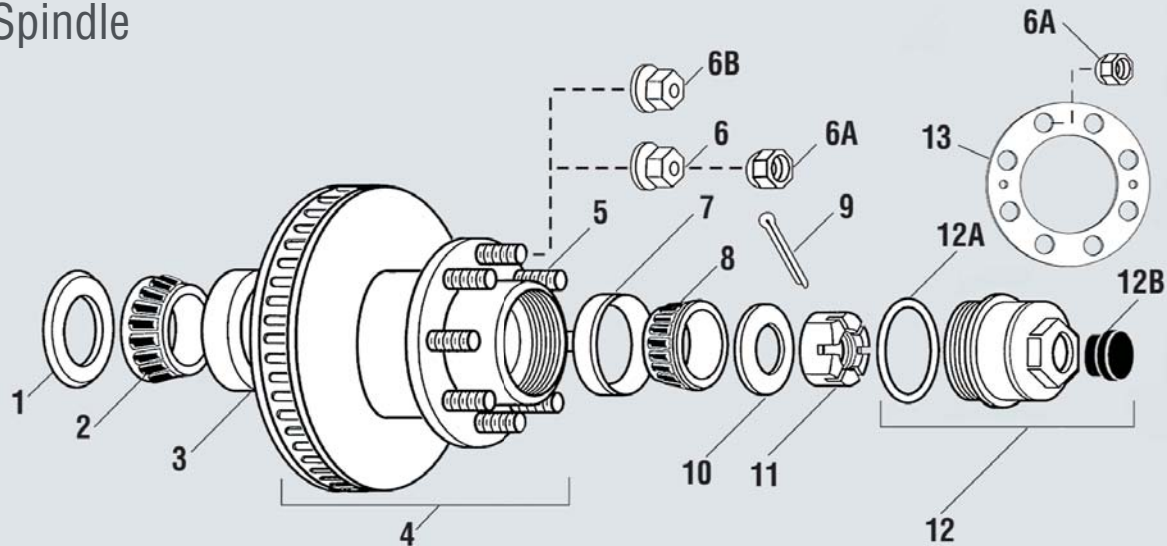
No.	Hub Part Description	AL-KO Part No.	Hayes Part No.	No.	Hub Part Description	AL-KO Part No.	Hayes Part No.
8 STUDS ON 6.50 DIAMETER (flat faced shown)				* 14	Wheel Clamp Ring for 5/8" Studs	568348	—
1	Oil Seal	568217	091023	15	Wheel Nut 5/8" - 18 90° Cone	363698	—
2	Inner Bearing Cone JM511946	568219	093717	6 STUDS on 8.75 DIAMETER			
3	Inner Bearing Cup JM511910	568267	093716	5	Hub Drum Assembly (Air)	09080724	09080724
4	Armature Plate	568261	092406	5B	Hub	09080786	09080786
4	Armature Plate w/ Exciter Ring Air Brake	5106	5106	5D	Stud 3/4" x 3 1/2"	09077116	09077116
4A	Flat Head Bolt, 1/4" - 20	568263	09070301	5F	Swiveling Flange Nut - 2" Flange	09065114	09065114
4B	Lock Washer, 1/4"	568264	090502	9	Wheel Stud Sleeve	09141905	09141905
4C	Hex Nut, 1/4" - 20	568265	090610	HUB WITH DOUBLE CAP NUTS			
5	Hub & Drum (F.F.) Elec/Hyd 5/8" Stud	568260	09089401	5B	RH Hub	09083510	09083510
5	Hub & Drum (Coined) Elec/Hyd 5/8" Stud	090871	090871	5B	LH Hub	09083511	09083511
5	Hub & Drum (F.F.) Air 5/8" Stud	09089411	09089411	5D	Stud 3/4" RH	09077152	09077152
5	Hub & Drum (Coined) Air 5/8" Stud	09080638	09080638	5D	Stud 3/4" LH	09077153	09077153
5	Hub & Drum (F.F.) Elec/Hyd 3/4" Stud	09089408	09089408	6A	Inner Cap Nut RH (Steel Wheels)	09065110	09065110
5	Hub & Drum (Coined) Elec/Hyd 3/4" Stud	09080631	09080631	6A	Inner Cap Nut LH (Steel Wheels)	09065111	09065111
* 5	Hub & Drum (F.F.) Air 3/4" Stud	09089415	09089415	6B	Outer Cap Nut RH (Steel Wheels)	09065112	09065112
** 5	Hub & Drum (Coined) Air 3/4" Stud	09080637	09080637	6B	Outer Cap Nut LH (Steel Wheels)	09065113	09065113
5A	Hub & Drum Mounting Bolt	568262	090745	10 STUDS ON 8.75 DIAMETER			
5B	Hub Assembly (F.F.) 5/8" Stud	568215	09089371	5	Hub Drum Assembly (Air)	09080721	09080721
5B	Hub Assembly (Coined) 5/8" Stud	090884	090884	5B	Hub	09080783	09080783
* 5B	Hub Assembly (F.F.) 3/4" Stud	09089372	09089372	5D	Stud 3/4"	09077116	09077116
** 5B	Hub Assembly (Coined) 3/4" Stud	09080630	0908063	5F	Swiveling Flange Nut - 2" Flange	09065114	09065114
5C	Dual Wheel Nut Swiveling Flange 5/8"	568216	09065602	9	Wheel Stud Sleeve	09141905	09141905
5C	Swiveling Flange Nut 3/4" (F.F.) 1 1/2"	09065603	09065603	HUB WITH DOUBLE CAP NUTS			
5D	Wheel Stud 5/8" - 18	363910	090737	5B	RH Hub	09083530	09083530
5D	Wheel Stud 3/4"	09077115	09077115	5B	LH Hub	09083531	09083531
5E	Drum Only 12.25" x 5.5" L/Armature	090907	090907	5D	Stud 3/4" RH	09077152	09077152
5E	Drum Only Elec/Hyd 12.25" x 3.5" L/Armature	568699	090904	5D	Stud 3/4" LH	09077153	09077153
6B	Flange Nut, 3/4" (Coined)	09065105	09065105	6A	Inner Cap Nut RH (Steel Wheels)	09065110	09065110
7	Outer Bearing Cup JM205110	568266	093714	6A	Inner Cap Nut LH (Steel Wheels)	09065111	09065111
8	Outer Bearing Cone JM205149	568218	093715	6B	Outer Cap Nut RH (Steel Wheels)	09065112	09065112
10	Cotter Pin	568137	091903	6B	Outer Cap Nut LH (Steel Wheels)	09065113	09065113
11	Spindle Washer 1 1/2"	568136	090525	*Used with Flat Face Wheels    **Used with Coin In-Out Wheels (Replacement only)			
12	Spindle Nut	568135	0906323				
13	Oil Cap Assembly	K568220	K568220				
13A	O-Ring	568222	10693				
13B	Plug	568223	092126				

10 - 16K

# Hub and Drum Assembly

## 10K and 12K Disc Brake Axles

### 120 Spindle



### Parts List

No.	Hub Part Description	AL-KO Part No.	Hayes Part No.
8 STUDS ON 6.50" DIAMETER			
1	Oil Seal	568217	091023
2	Inner Bearing Cone JM511946	568219	093717
3	Inner Bearing Cup JM511910	568267	093716
4	Hub & Rotor F.F. 5/8"	09089421	09089421
4	Hub & Rotor Coined 5/8"	090814	090814
4	Hub & Rotor F.F. 3/4"	09089425	09089425
4	Hub & Rotor Coined 3/4"	09080632	09080632
5	Wheel Stud 5/8" - 18	363910	090737
5A	Wheel Stud 3/4"	09077115	09077115
*6	5/8" Swiveling Flange Nut	568216	09065602
6A	5/8" 90° Cone Wheel Nut	363698	090643
**6B	5/8" Flanged Wheel Nut	568703	090633

No.	Hub Part Description	AL-KO Part No.	Hayes Part No.
**6B	3/4" Flanged Wheel Nut	09065105	09065105
*6	3/4" Swiveling Flange Nut - 1 5/8" Flange	09065603	09065603
7	Outer Bearing Cup JM205110	568266	093714
8	Outer Bearing Cone JM 205149	568218	093715
9	Cotter Pin	568137	091903
10	Spindle Washer 1 1/2"	568136	090525
11	Spindle Nut	568135	090623
12	Plastic Oil Cap Assembly	K568220	K568220
12A	O-Ring	568222	10693
12B	Rubber Plug	568223	092126
13	Wheel Clamp Ring for 5/8" Studs	568348	—

\*Used with Flat Face Wheels

\*\*Used with Coined Wheels

### WARNING:

AL-KO Kober Corporation manufacture hubs and drums that are compatible with many wheels used in the trailer industry that have matching bolt patterns. AL-KO does not manufacture wheels, nor do they recommend a specific wheel for compatibility with the hubs and drums they manufacture. The wheel manufacturer should be contacted for proof of compatibility before use.