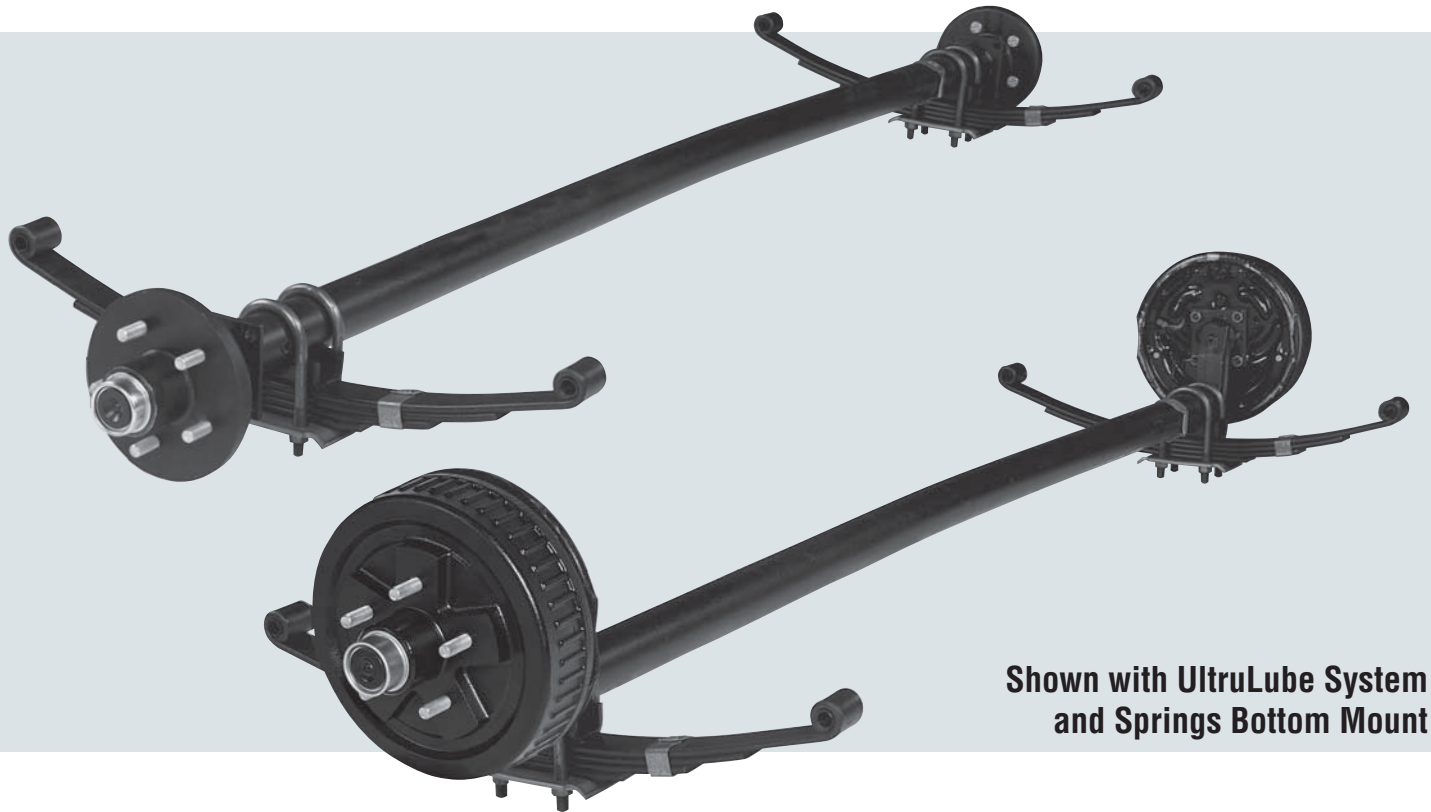


# T-20 Axle Assembly

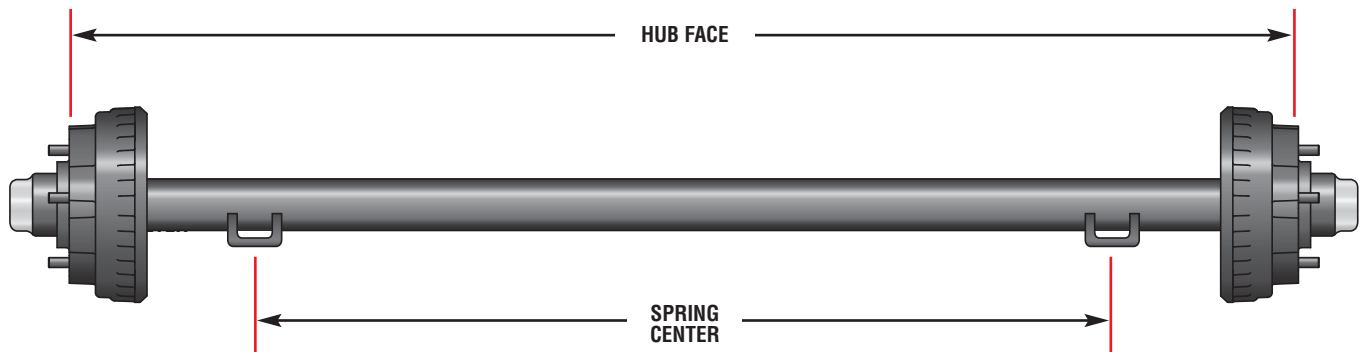
500 - 2,200 lb.



**Shown with UltraLube System  
and Springs Bottom Mount**

The T-20 is a round tube axle for light duty applications, available as a straight axle only. Popular applications are watercraft trailers, tent campers, utility trailers, golf cart trailers and motorcycle trailers.

- ✓ Built with 1 3/4" axle tubing or optional 2 3/8" tube
- ✓ Spindle type precision machined BT 9 with inner and outer journal dimension of 1 1/16"
- ✓ Double lipped spring loaded seals
- ✓ Available in 440 or 545 bolt patterns
- ✓ Integral cast hubs / drums CNC machined accuracy
- ✓ CSA approved 7" electric brake or choose optional hydraulic drum brake
- ✓ Optional attaching parts kit available for double eye or slipper spring suspension
- ✓ Grease lubrication or the optional premium Ultralube System
- ✓ 2 year limited warranty on complete axle assembly



## Popular Springs

| Spring P/N | Ref. No.          | Spring Capacity | Spring Length | Spring Width | # of Leaves | Type | Axle Capacity |
|------------|-------------------|-----------------|---------------|--------------|-------------|------|---------------|
| 8128       | UNA-168 / DX-720  | 700             | 20.125"       | 1.75"        | 3           | DE   | 1400          |
| 8127       | 72-41 / DX72-41   | 750             | 26.000"       | 1.75"        | 4           | DE   | 1500          |
| 09318204   | 9318204 / AWS-2BT | 750             | 26.000"       | 1.75"        | 2           | DE   | 1500          |
| 09317901   | 9317901           | 1000            | 27.250"       | 1.75"        | 3           | DE   | 2000          |
| 8107       | UNA-120 / 93162   | 1000            | 20.250"       | 1.75"        | 4           | DE   | 2000          |
| 8117       | UNA-169 / 1020    | 1000            | 20.375"       | 1.75"        | 3           | DE   | 2000          |
| 8123       | SW2               | 1000            | 25.250"       | 1.75"        | 2           | DE   | 2000          |
| 8124       | 9318203 / WC-2    | 600             | 24.000"       | 2.00"        | 2           | SL   | 1200          |
| 8126       | WIE-3             | 750             | 24.250"       | 1.75"        | 3           | SL   | 1500          |

## A/P Kits W/Hangers\*

| P/N  | Description       |
|------|-------------------|
| 9901 | Single Double Eye |
| 9973 | Single Double Eye |
| 9923 | Single Slipper    |
| 9905 | Tandem Double Eye |
| 9906 | Tandem Double Eye |
| 9907 | Tandem Double Eye |
| 9910 | Tandem Double Eye |
| 9925 | Tandem Double Eye |
| 9971 | Tandem Double Eye |

## A/P Kits W/O Hangers\*

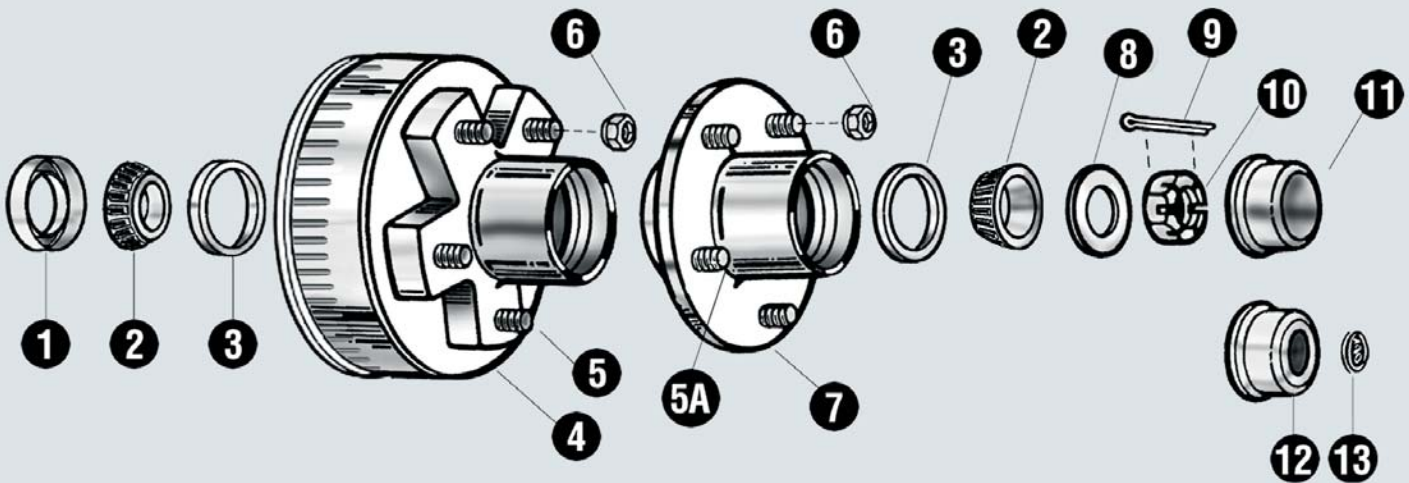
| P/N  | Description       |
|------|-------------------|
| 9928 | Single Double Eye |
| 9942 | Single Double Eye |
| 9953 | Single Double Eye |
| 9922 | Tandem Double Eye |
| 9957 | Tandem Double Eye |
| 9964 | Tandem Double Eye |
| 9949 | Tandem Double Eye |
| 9920 | Tandem Double Eye |

\* See pages 64 and 65 for further details

# Service Replacement Parts

## 7" x 1 1/4" Hub / Drum

500 - 2,200 lb.



### Parts List

| No. | Brake Part Description                     | AL-KO Part No. | Hayes Part No. | No. | Brake Part Description              | AL-KO Part No. | Hayes Part No. |
|-----|--------------------------------------------|----------------|----------------|-----|-------------------------------------|----------------|----------------|
| 1A  | Grease Seal Double Lipped (Rubber Torsion) | 568885         | —              | 7   | BT Idler Hub, Cupped & Studded      | —              | —              |
| 1B  | Grease Seal Double Lipped (Leaf Spring)    | 568886         | —              | 7A  | 4 on 4.0" Bolt Circle               | 363185         | 09080388       |
| 2   | Bearing Cone (Inner & Outer) 44649         | 363180         | 093706         | 7B  | 5 on 4.5" Bolt Circle               | 363188         | 09080398       |
| 3   | Bearing Cup (Inner & Outer) L44610         | 363913         | 093707         | 7C  | 5 on 4.5" Bolt Circle (Wide Flange) | 363190         | 09080408       |
| 4   | 7" Hub & Drum, Cupped & Studded            | —              | —              | 8   | Spindle Washer 1" x 1 3/4" O.D.     | 363259         | 090509         |
| 4A  | 4 on 4.0" Bolt Circle                      | 363215         | —              | 9   | Cotter Pin                          | 363258         | 091901         |
| 4B  | 5 on 4.5" Bolt Circle                      | 363216         | 09080220       | 10  | Spindle Nut 1" - 14                 | 363257         | 090601         |
| 5   | Stud, 1/2" - 20 x 1.81 Long Knurl          | 1530092        | 09251525       | 11  | Grease Cap                          | 363182         | 092102         |
| 5A  | Stud, 1/2" - 20 x 1.81 Short Knurl         | 363908         | 09251510       | 12  | Grease Cap (UL)                     | 363277         | 09210101       |
| 6   | Wheel Nut 1/2" - 20 60° Cone               | 363203         | 090608         | 13  | Rubber Plug (UL)                    | 568067         | 09213611       |

#### WARNING:

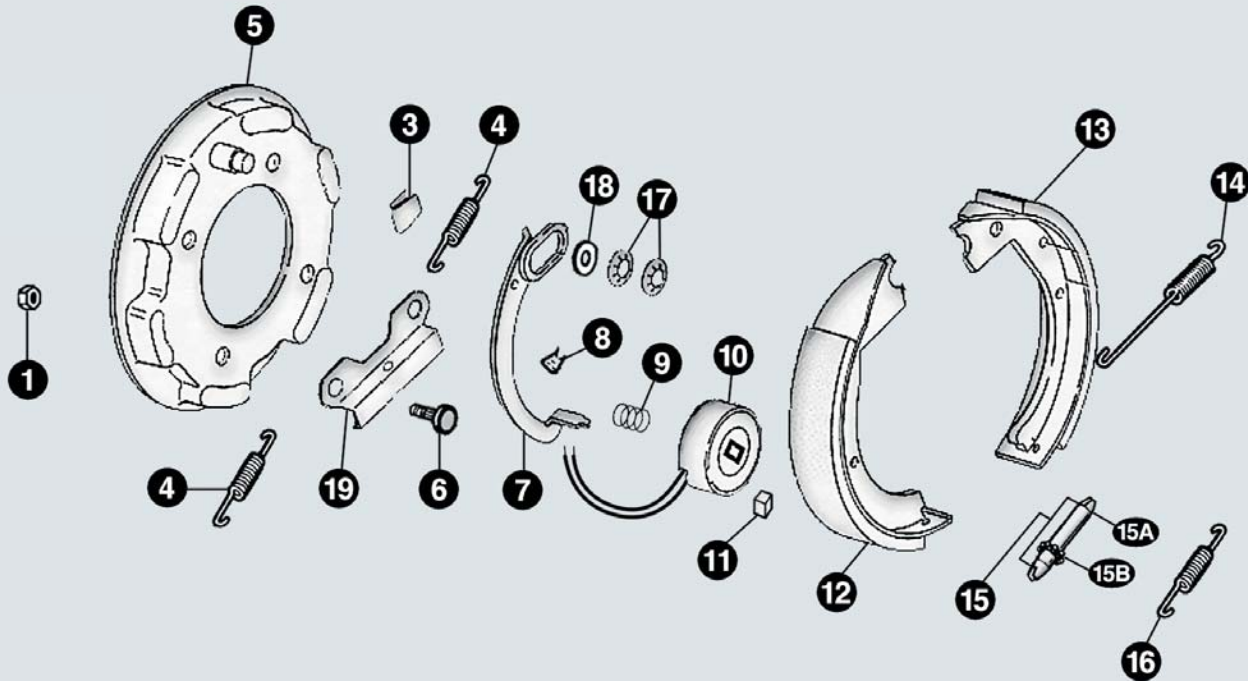
AL-KO Kober Corporation manufacture hubs and drums that are compatible with many wheels used in the trailer industry that have matching bolt patterns. AL-KO does not manufacture wheels, nor do they recommend a specific wheel for compatibility with the hubs and drums they manufacture. The wheel manufacturer should be contacted for proof of compatibility before use.

# Service Replacement Parts

## 7" x 1 1/4" Electric Brake



500 - 2,200 lb.



### Parts List

| No. | Brake Part Description             | AL-KO Part No. | Hayes Part No. | No. | Brake Part Description          | AL-KO Part No. | Hayes Part No. |
|-----|------------------------------------|----------------|----------------|-----|---------------------------------|----------------|----------------|
| 0   | RH Brake Assembly Complete         | 623763         | 09230201       | 11  | Clip, Magnet                    | 606358         | —              |
| 0   | LH Brake Assembly Complete (Shown) | 623762         | 09230202       | 12  | Primary Shoe & Lining (Shown)   | 623757         | —              |
| 1   | Brake Mounting Nut 7/16" - 20      | 363312         | 090616         | 13  | Secondary Shoe & Lining         | 623758         | —              |
| 3   | Shoe Hold Down Clip                | 606366         | —              | 14  | Shoe Retractor Spring           | 606382         | —              |
| 4   | Shoe Centering Spring              | 606380         | —              | 15  | Adjuster Screw Assembly         | 606357         | —              |
| 5   | Backing Plate Assembly             | N/A            | —              | 15A | Adjuster Screw Socket           | 606364         | —              |
| 6   | Brake Mounting Stud 7/16" - 20     | 606360         | —              | 15B | 7" Adjuster Nut                 | 606356         | —              |
| 7   | RH Lever Assembly                  | 623754         | —              | 16  | Adjuster Screw Spring           | 606374         | —              |
| 7   | LH Lever Assembly (Shown)          | 623753         | —              | 17  | Clip, Anchor Pin / Lever        | 606372         | —              |
| 8   | Clip, Wire                         | 606373         | —              | 18  | 7" Brake Washer                 | 700140         | —              |
| 9   | Magnet Spring                      | 606381         | —              | 19  | Support Plate 7" Electric Brake | 606369         | —              |
| 10  | Magnet Assembly                    | 623752         | —              |     |                                 |                |                |

#### WARNING:

AL-KO Kober Corporation manufacture hubs and drums that are compatible with many wheels used in the trailer industry that have matching bolt patterns. AL-KO does not manufacture wheels, nor do they recommend a specific wheel for compatibility with the hubs and drums they manufacture. The wheel manufacturer should be contacted for proof of compatibility before use.