

T-44 / D-44 Axle Assembly

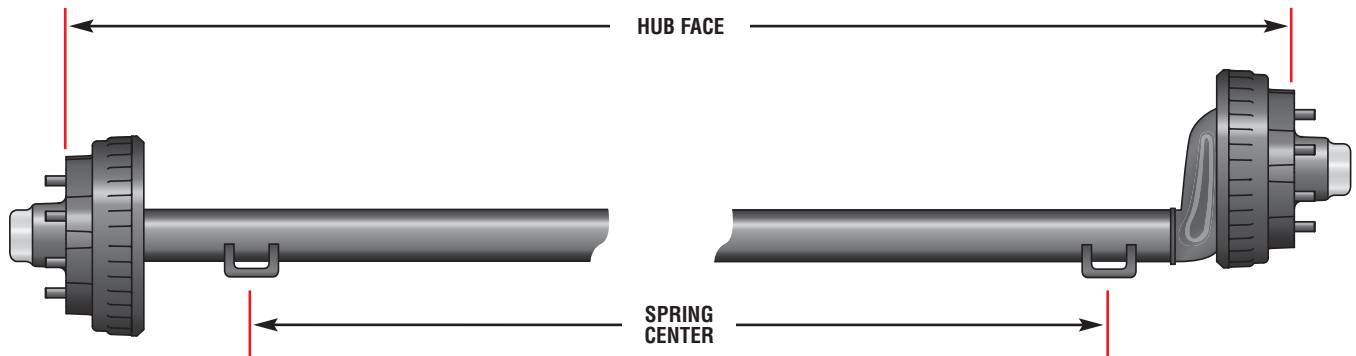


4,000 - 4,400 lb.

**Shown with Ultralube System
and Springs Top Mount**

The T-44 or D-44 is a round tube axle perfect for those applications that require a greater capacity than the T-35 or D-35, yet are more economical than the T-52 or D-52 axle.

- ✓ Axle built with 3" axle tubing in a straight spindle configuration
- ✓ Precision machined spindle with inner journal dimension of 1 $\frac{3}{8}$ " and an outer journal dimension of 1 $\frac{1}{16}$ "
- ✓ Double lipped spring loaded seals
- ✓ Available in 655 bolt pattern
- ✓ Integral cast hubs / drums CNC machined accuracy
- ✓ CSA approved 10" x 2 $\frac{1}{4}$ " electric brakes
- ✓ Double eye or slipper spring suspension
- ✓ Optional attaching parts kit available for double eye or slipper spring suspension
- ✓ Grease lubrication or the optional premium Ultralube System
- ✓ 2 year limited warranty on complete axle assembly



Overhang Chart*

	Tube Size	Minumum	Maximum
Straight	3"	14"	22"

*Hub face and spring center measurements are only available in 1/4" increments
Hub face minus spring center equals overhang

Popular Springs

Spring P/N	Ref. No.	Spring Capacity	Spring Length	Spring Width	# of Leaves	Type	Axle Capacity
8103	SW4B / PR-4B	1750	25.250"	1.75"	4	DE	3500
8115	SW-3 / 72 -24	1750	25.250"	1.75"	3	DE	3500
8116	UNA-216 / 72-09	1750	23.125"	1.75"	3	DE	3500
8143	PR-3	1750	25.250"	1.75"	3	DE	3500
093185	93185	1750	27.250"	1.75"	4	DE	3500
093153	AWS-4	2000	26.000"	1.75	4	DE	4000
8121	72-24 / UNA-220	2000	25.250"	1.75"	3	DE	4000
8104	93103 / PP4	2200	25.250"	1.75	4	DE	4400
BT2522	BT25-22	1750	25.000"	1.75"	3	SL	3500
8112	93167/UNA-230/80-3T3	2000	26.000"	2"	4	SL	4000

A/P Kits W/Hangers*

P/N	Description
9901	Single Double Eye
9973	Single Double Eye
9923	Single Slipper
9905	Tandem Double Eye
9906	Tandem Double Eye
9907	Tandem Double Eye
9910	Tandem Double Eye
9925	Tandem Double Eye
9971	Tandem Double Eye
9904	Tandem Slipper

A/P Kits W/O Hangers*

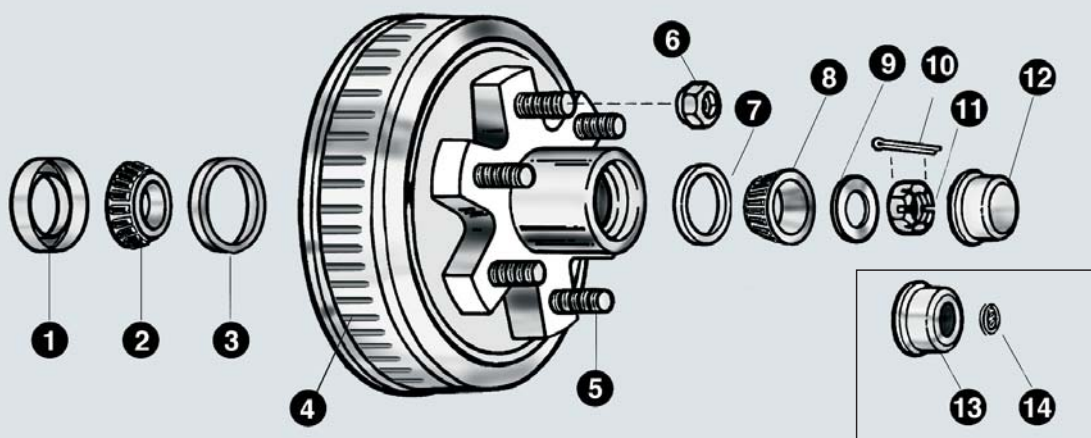
P/N	Description
9928	Single Double Eye
9942	Single Double Eye
9953	Single Double Eye
9922	Tandem Double Eye
9957	Tandem Double Eye
9964	Tandem Double Eye
9949	Tandem Double Eye
9920	Tandem Double Eye

* See pages 64 and 65 for further details

Service Replacement Parts

10" x 2 1/4" Drum 4.4K

4,000 - 4,400 lb.



Required with UL Spindle

Parts List

No.	Brake Part Description	AL-KO Part No.	Hayes Part No.	No.	Brake Part Description	AL-KO Part No.	Hayes Part No.
1	Grease Seal Double Lipped	568861	568861	7	Outer Bearing Cup LM67010	363912	093702
2	Inner Bearing Cone 68149	363192	093705	8	Outer Bearing Cone LM67048	363197	093704
3	Inner Bearing Cup L68111	363914	093718	9	Spindle Washer 1" x 1 3/4" O.D.	363259	090509
4	Idler Hubs w / Cups & Studs	—	—	10	Cotter Pin	363258	091901
4	6 on 5.5" Bolt Circle	568955	—	11	Spindle Nut 1" - 14	363257	09060101
5	Stud 1/2" - 20 x 2 (Zinc)	1530092	—	12	Grease Cap	363199	092102
5A	Stud 1/2" - 20 x 1.81 Long Knurl	363907	09251525	13	Grease Cap (UL)	363496	09210101
6	Wheel Nut, 1/2" - 20 60° Cone	363203	090608	14	Rubber Plug (UL)	568067	09213611

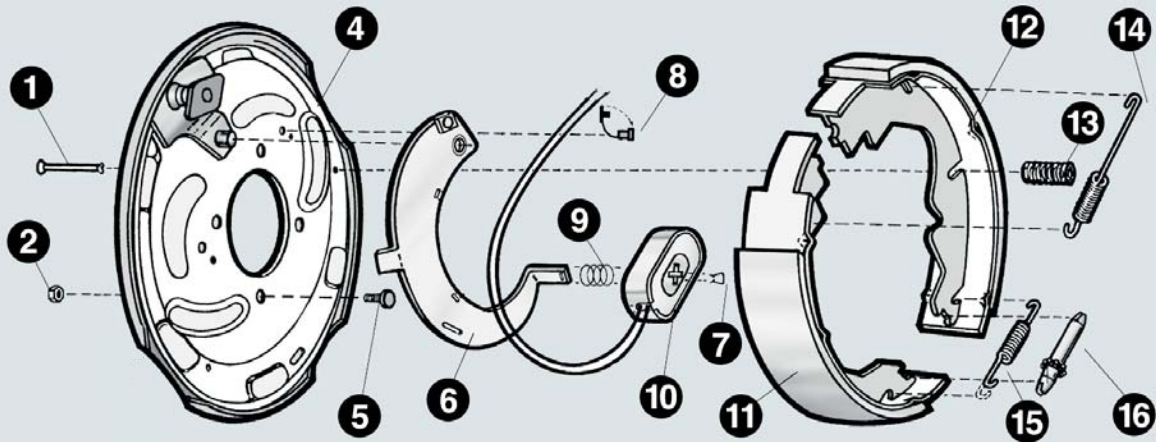
4.0K brake drum service replacement parts can be found on page 34.

WARNING:

AL-KO Kober Corporation manufacture hubs and drums that are compatible with many wheels used in the trailer industry that have matching bolt patterns. AL-KO does not manufacture wheels, nor do they recommend a specific wheel for compatibility with the hubs and drums they manufacture. The wheel manufacturer should be contacted for proof of compatibility before use.

Service Replacement Parts

10" x 2 1/4" Electric Brake 4.0K / 4.4K



4,000 - 4,400 lb.

Parts List

No.	Brake Part Description	AL-KO Part No.	Hayes Part No.	No.	Brake Part Description	AL-KO Part No.	Hayes Part No.
0	RH Brake Assembly Complete	568998	—	9	Magnet Spring	568103	096522
0	LH Brake Assembly Complete (Shown)	568999	—	10	Magnet Assembly	K568119	—
1	Shoe Hold Down Pin	568094	09661104	11	Primary Shoe & Lining	568995	—
2	Brake Mounting Nut $\frac{7}{16}$ " - 20	363312	090616	12	Secondary Shoe & Lining	568996	—
4	Backing Plate Assembly	—	—	13	Shoe Hold Down Cap & Spring	568093	10443
5	Brake Mounting Stud ($\frac{7}{16}$ " - 20)	6722	090762	14	Shoe Retract Spring	568097	09650603
6	RH Lever Assembly	568121	60283001	15	Adjuster Screw Spring	568095	096526
6	LH Lever Assembly (Shown)	568122	60282901	16	Adjuster Screw Assembly	568110	60272401
7	Clip, Wire & Magnet	568092	09680815	16	Adjuster Screw Socket	568086	60272801
8	Strain Relief (Magnet Wire)	568090	—		Magnet Wire Loom	568337	

WARNING:

AL-KO Kober Corporation manufacture hubs and drums that are compatible with many wheels used in the trailer industry that have matching bolt patterns. AL-KO does not manufacture wheels, nor do they recommend a specific wheel for compatibility with the hubs and drums they manufacture. The wheel manufacturer should be contacted for proof of compatibility before use.