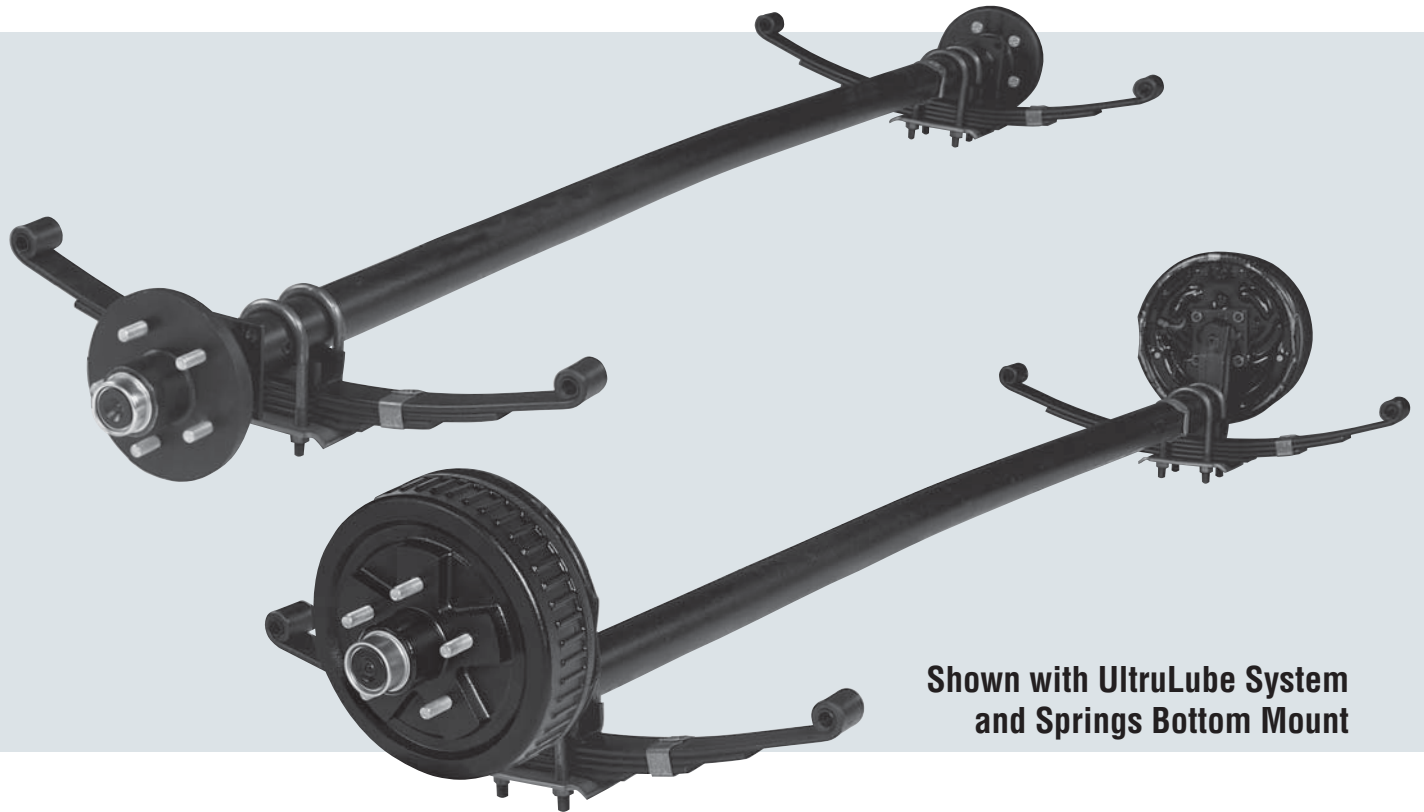


T-35 / D-35 Axle Assembly

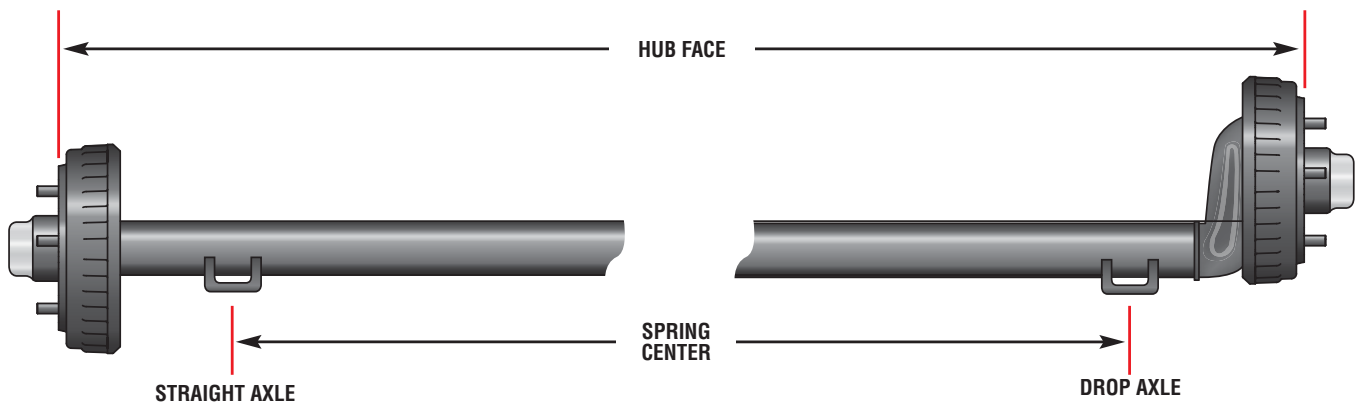
2,200 - 3,500 lb.



Shown with UltraLube System and Springs Bottom Mount

The T-35 or D-35 is a round tube axle for light to medium duty applications, available either with straight or 4" drop spindles. Popular applications are travel trailers, utility trailers, horse/stock trailers, cargo trailers and watercraft trailers.

- ✓ Built with 2 3/8" axle tubing or optional 3" tube
- ✓ Double lipped spring loaded seals
- ✓ Available in 545, 5475, 550, 555, or 655 bolt patterns
- ✓ 10" x 1.75" Advanced Design available in 545 and 550 bolt patterns
- ✓ Spindle type precision machined #84 with inner journal dimension of 1 3/8" and an outer journal dimension of 1 1/16"
- ✓ Integral cast hubs / drums CNC machined accuracy
- ✓ CSA approved 10" x 2 1/4" electric brakes with optional hydraulic drum or disc brakes
- ✓ Double eye or slipper spring suspension
- ✓ Optional attaching parts kit available for double eye or slipper spring suspension
- ✓ Grease lubrication or the optional premium UltraLube System
- ✓ 2 year limited warranty on complete axle assembly



2,200 - 3,500 lb.

Overhang Chart*

	Tube Size	Minimum	Maximum	Min Hub Face
Straight	2 3/8"	11 1/4"	17"	33"
4" Drop	2 3/8"	14 7/8"	19"	37 5/8"
Straight	3"	14 1/4"	23"	33"
4" Drop	3"	14 1/4"	23"	37 5/8"

*Hub face and spring center measurements are only available in 1/4" increments
Hub face minus spring center equals overhang

Popular Springs

Spring P/N	Ref. No.	Spring Capacity	Spring Length	Spring Width	# of Leaves	Type	Axle Capacity
8101	93101 / LT PP3	1375	25.250"	1.75"	3	DE	2750
8102	UNA-217	1500	25.250"	1.75"	3	DE	3000
8118	UNA-041	1500	20.000"	1.75"	3	DE	3000
8119	93182-12	1500	23.250"	1.75"	3	DE	3000
8144	AWS-3 / 9318206	1500	26.000"	1.75	3	DE	3000
093178	93178	1500	20.250"	1.75	4	DE	3000
8103	SW4B / PR-4B	1750	25.250"	1.75"	4	DE	3500
8115	SW-3	1750	25.250"	1.75"	3	De	3500
8116	UNA-216 / 72-09	1750	23.125"	1.75"	3	DE	3500
8143	PR-3 / PP3	1750	25.250"	1.75"	3	DE	3500
093185	93185	1750	27.250"	1.75"	4	DE	3500
8126	WIE-3	750	24.250"	1.75	3	SL	1500
8142	BT25-9	950	25.000"	1.75"	3	SL	1900
BT2522	BT25-22	1750	25.000"	1.75"	3	SL	3500
8149	WIF3/UNA039/433145	1500	30.500"	1.75"	3	SL	3000

A/P Kits W/Hangers*

P/N	Description
9901	Single Double Eye
9973	Single Double Eye
9923	Single Slipper
9905	Tandem Double Eye
9906	Tandem Double Eye
9907	Tandem Double Eye
9910	Tandem Double Eye
9925	Tandem Double Eye
9971	Tandem Double Eye
9904	Tandem Slipper

A/P Kits W/O Hangers*

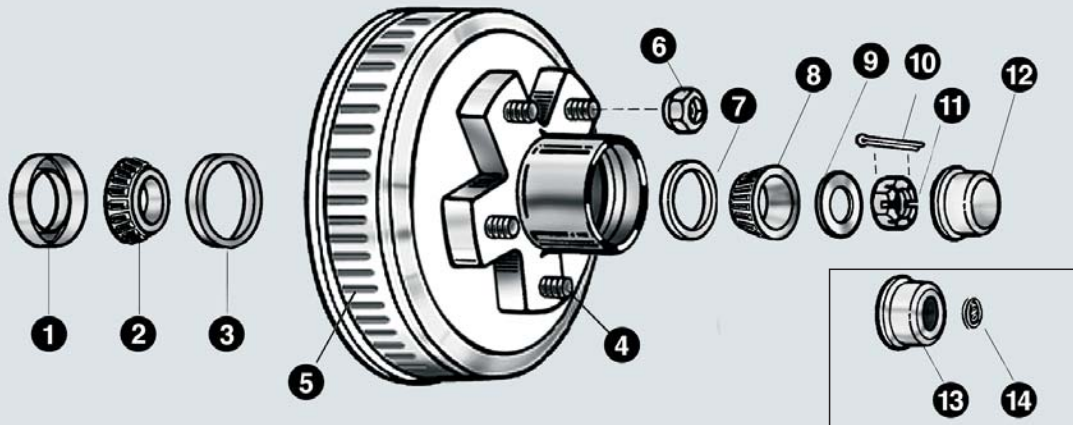
P/N	Description
9925	Single Double Eye
9942	Single Double Eye
9953	Single Double Eye
9922	Tandem Double Eye
9957	Tandem Double Eye
9964	Tandem Double Eye
9949	Tandem Double Eye
9920	Tandem Double Eye
9963	Triple Double Eye

* See pages 64 and 65 for further details

Service Replacement Parts

Advanced Design 10" x 1 3/4" Drum

2,200 - 3,500 lb.



Required with UL Spindle

Parts List

No.	Brake Part Description	AL-KO Part No.	Hayes Part No.	No.	Brake Part Description	AL-KO Part No.	Hayes Part No.
1	Grease Seal Double Lipped	568886	09103305	7	Outer Bearing Cup L44610	363913	093707
2	Inner Bearing Cone 68149	363192	093705	8	Outer Bearing Cone 44649	363180	093706
3	Inner Bearing Cup L68111	363914	093718	9	Spindle Washer 1" x 1 3/4" O.D.	363259	090509
4	Stud 1/2" - 20 x 2	1530092	—	10	Cotter Pin	363258	091901
5	Hub & Drum / Cups & Studs	—	—	11	Spindle Nut 1" - 14	363257	09060101
5A	5 on 4.5" Bolt Circle	1530189	—	12	Grease Cap	363182	092102
5B	5 on 5.0" Bolt Circle	1530190	—	13	Grease Cap (UL)	363277	09210104
6	Wheel Nut, 1/2" - 20 60° Cone	363203	090608	14	Rubber Plug (UL)	568067	09213611

WARNING:

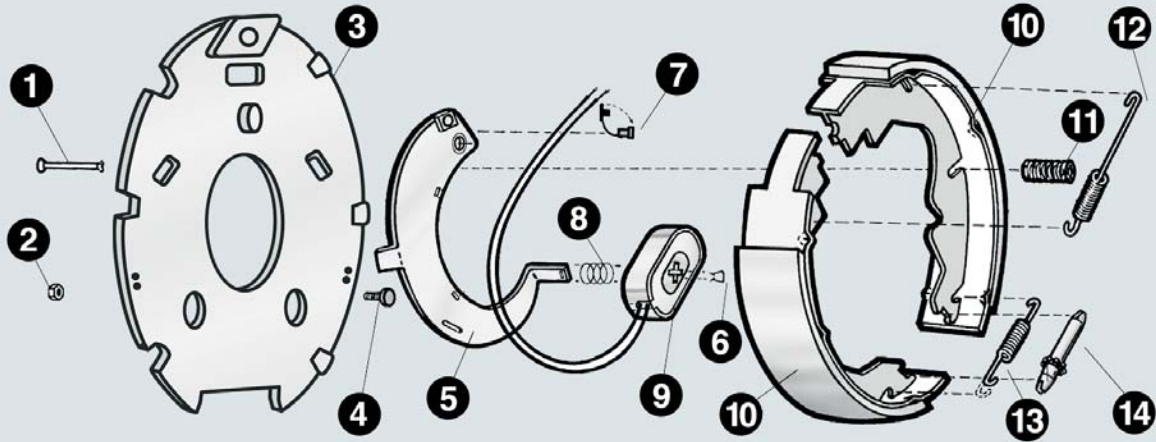
AL-KO Kober Corporation manufacture hubs and drums that are compatible with many wheels used in the trailer industry that have matching bolt patterns. AL-KO does not manufacture wheels, nor do they recommend a specific wheel for compatibility with the hubs and drums they manufacture. The wheel manufacturer should be contacted for proof of compatibility before use.

Service Replacement Parts

Advanced Design 10" x 1 3/4" Electric Brakes



2,200 - 3,500 lb.



Parts List

No.	Brake Part Description	AL-KO Part No.	Hayes Part No.	No.	Brake Part Description	AL-KO Part No.	Hayes Part No.
0	RH Brake Assembly Complete	1530116	—	8	Magnet Spring	568103	—
0	LH Brake Assembly Complete (Shown)	1530117	—	9	Magnet Assembly (Green Wire)	568119	—
1	Shoe Hold Down Pin	5785	—	10	Primary Shoe & Lining	1530114	—
2	Brake Mounting Nut 7/16" - 20	363312	—	11	Shoe Hold Down Cup & Spring	568093	—
3	Backing Plate Assembly	5050	—	12	Shoe Retract Spring	568097	—
4	Brake Mounting Stud (7/16" - 20)	1530112	—	13	Adjuster Screw Spring	568095	—
5	RH Lever Assembly	568121	—	14	Adjuster Screw Assembly	568110	—
5B	LH Lever Assembly (Shown)	568122	—	14B	Adjuster Screw Socket	568086	—
6	Clip, Wire & Magnet	568092	—		Magnet Wire Loom	568337	—
7	Strain Relief (Magnet Wire)	568090	—				

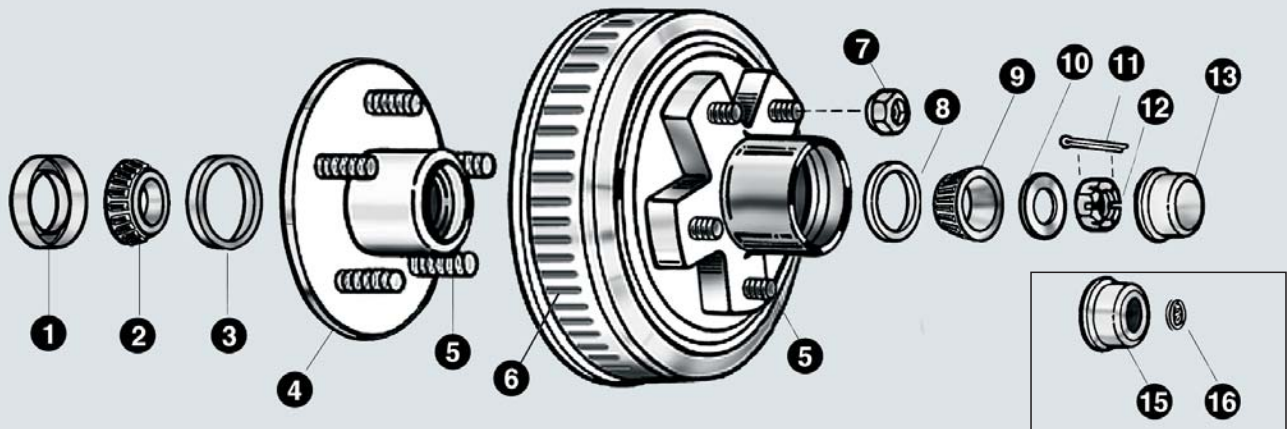
WARNING:

AL-KO Kober Corporation manufacture hubs and drums that are compatible with many wheels used in the trailer industry that have matching bolt patterns. AL-KO does not manufacture wheels, nor do they recommend a specific wheel for compatibility with the hubs and drums they manufacture. The wheel manufacturer should be contacted for proof of compatibility before use.

Service Replacement Parts

10" x 2 1/4" Hub / Drum

2,200 - 3,500 lb.



Required with UL Spindle

Parts List

No.	Brake Part Description	AL-KO Part No.	Hayes Part No.	No.	Brake Part Description	AL-KO Part No.	Hayes Part No.
1	Grease Seal Double Lipped	568861	09103305	6B	5 on 4.75" Bolt Circle	363630	09080428
2	Inner Bearing Cone 68149	363192	093705	6C	5 on 5.0" Bolt Circle	363220	09080257
3	Inner Bearing Cup L68111	363914	093718	6D	5 on 5.5" Bolt Circle	363221	09080327
4	Idler Hubs w / Cups & Studs	—	—	6E	6 on 5.5" Bolt Circle	363222	09080367
4A	5 on 4.5" Bolt Circle	363191	09089137	7	Wheel Nut, 1/2" - 20 60° Cone	363203	090608
4B	5 on 4.75" Bolt Circle	363821	09080438	8	Outer Bearing Cup L44610	363913	093707
4C	5 on 5.0" Bolt Circle	363194	09080377	9	Outer Bearing Cone 44649	363180	093706
4D	5 on 5.5" Bolt Circle	363228	09080347	10	Spindle Washer 1" x 1 3/4" O.D.	363259	090509
4E	6 on 5.5" Bolt Circle	363195	09080357	11	Cotter Pin	363258	091901
5	Stud 1/2" - 20 x 2 (Zinc)	1530092	—	12	Spindle Nut 1" -14	363257	09060101
5A	Stud 1/2" - 20 x 1.81 Short Knurl	363908	09251510	13	Grease Cap	363182	092102
5B	Stud 1/2" - 20 x 1.81 Long Knurl	1530092	09251525	15	Grease Cap (UL)	363277	09210101
6	Hub & Drum / Cups & Studs	—	—	16	Rubber Plug (UL)	568067	09213611
6a	5 on 4.5" Bolt Circle	363219	09080607				

WARNING:

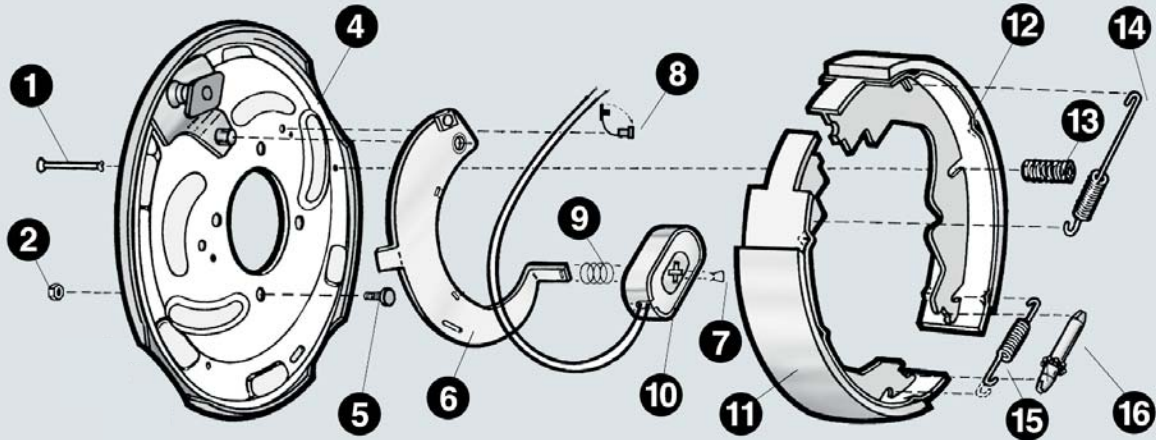
AL-KO Kober Corporation manufacture hubs and drums that are compatible with many wheels used in the trailer industry that have matching bolt patterns. AL-KO does not manufacture wheels, nor do they recommend a specific wheel for compatibility with the hubs and drums they manufacture. The wheel manufacturer should be contacted for proof of compatibility before use.

Service Replacement Parts

10" x 2 1/4" Electric Brake



2,200 - 3,500 lb.



Parts List

No.	Brake Part Description	AL-KO Part No.	Hayes Part No.	No.	Brake Part Description	AL-KO Part No.	Hayes Part No.
0	RH Brake Assembly Complete	363383.1	60202703	10	Magnet Assembly (Green Wire)	K568119	M144
0	LH Brake Assembly Complete (Shown)	363383.2	60202803	11	Primary Shoe & Lining	K568112	SL110
1	Shoe Hold Down Pin	568094	09661104	11	Primary Shoe & Lining (Parking Brake)	568173	—
2	Brake Mounting Nut 7/16" - 20	363312	090616	12	Secondary Shoe & Lining	K568112	SL110
4	Backing Plate Assembly	—	—	12	Secondary Shoe & Lining (Parking Brake)	568174	—
5	Brake Mounting Stud (7/16" - 20)	363900	090762	13	Shoe Hold Down Cup & Spring	568093	10443
6	RH Lever Assembly	568121	60283001	14	Shoe Retract Spring	568097	09650603
6	LH Lever Assembly (Shown)	568122	60282901	15	Adjuster Screw Spring	568095	096526
7	Clip, Wire & Magnet	568092	09680815	16	Adjuster Screw Assembly	568110	60272401
8	Strain Relief (Magnet Wire)	568090	092715	16	Adjuster Screw Socket	568086	60272801
9	Magnet Spring	568103	096522		Magnet Wire Loom	568337	

WARNING:

AL-KO Kober Corporation manufacture hubs and drums that are compatible with many wheels used in the trailer industry that have matching bolt patterns. AL-KO does not manufacture wheels, nor do they recommend a specific wheel for compatibility with the hubs and drums they manufacture. The wheel manufacturer should be contacted for proof of compatibility before use.