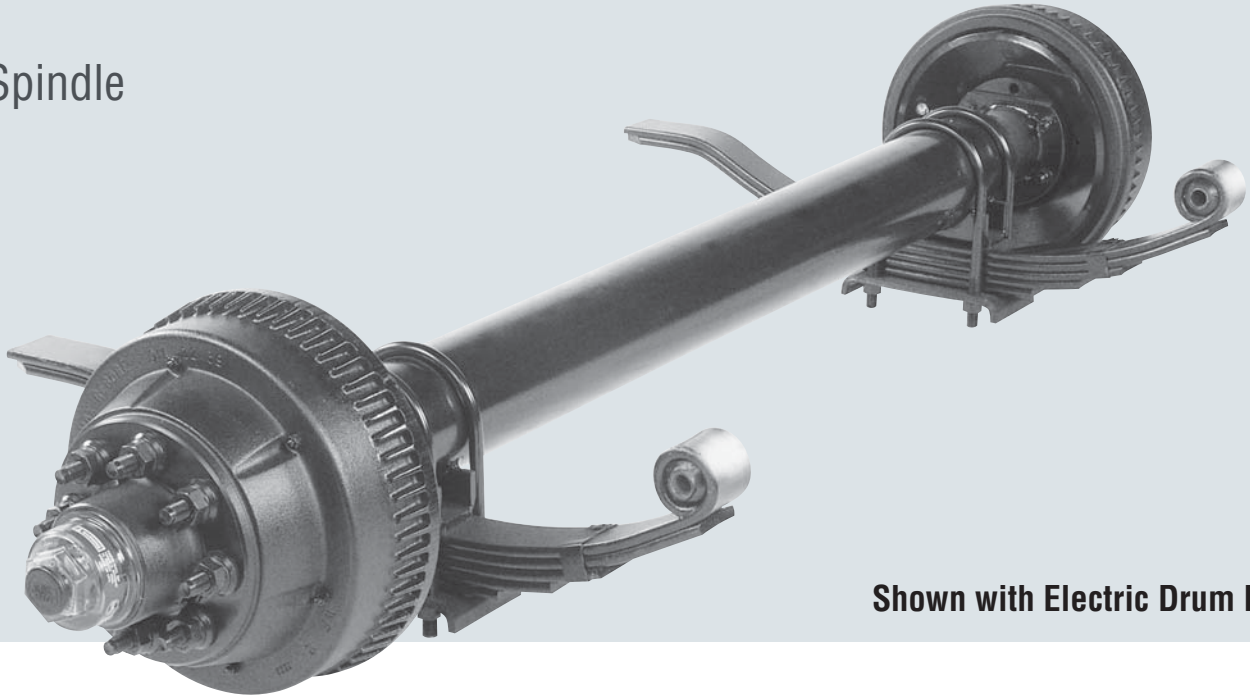


# 10K ADVANCED Design Axle Assembly

120 Spindle



Shown with Electric Drum Brakes

## Features:

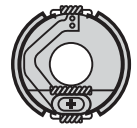
AL-KO's Advanced Design 10K axle is constructed of 5" x 1/4" wall tubing, but also available in 3 1/2" tubing. 50,000 PIS, 5" x 1/4" wall tubing is swaged and friction welded to the 120 spindle creating a weld which is stronger than the base metal.

The unicast hub and drum assembly has a replaceable steel armature plate for use with electric brakes. AL-KO oil cap is a redesigned molded form high strength polycarbonate to minimize breakage and leakage. Bearings are lubricated with SAE 90 weight oil to assure long bearing life.

Improved Advanced Design Electric Brake incorporates Forward Auto Adjusting feature, magnet retention clip and two piece removable steel dust shield. Changes also include a fully protected pre-wire system.

Standard pilot is 4.88" on an 8 on 6.5" bolt circle, using 5/8" swiveling flange nuts. Other hub pilots and wheel fasteners are available upon request.

## Available Brake Accessories



**Electric**  
12 1/4" x 3 1/2"



**Hydraulic**  
12 1/4" x 3 1/2"

## Standard Specifications

Track*	74.00"	71.00"	70.00"	68.00"	66.00"
Hub Face	73.50"	70.50"	69.50"	67.50"	65.50"
Spring Center	46.00"	43.00"	42.00"	40.00"	38.00"
Over All	95.25"	92.25"	91.25"	89.25"	87.25"

Track assumes a wheel disc thickness of 1/4". \*Track assumes a wheel disc thickness of 1/4"

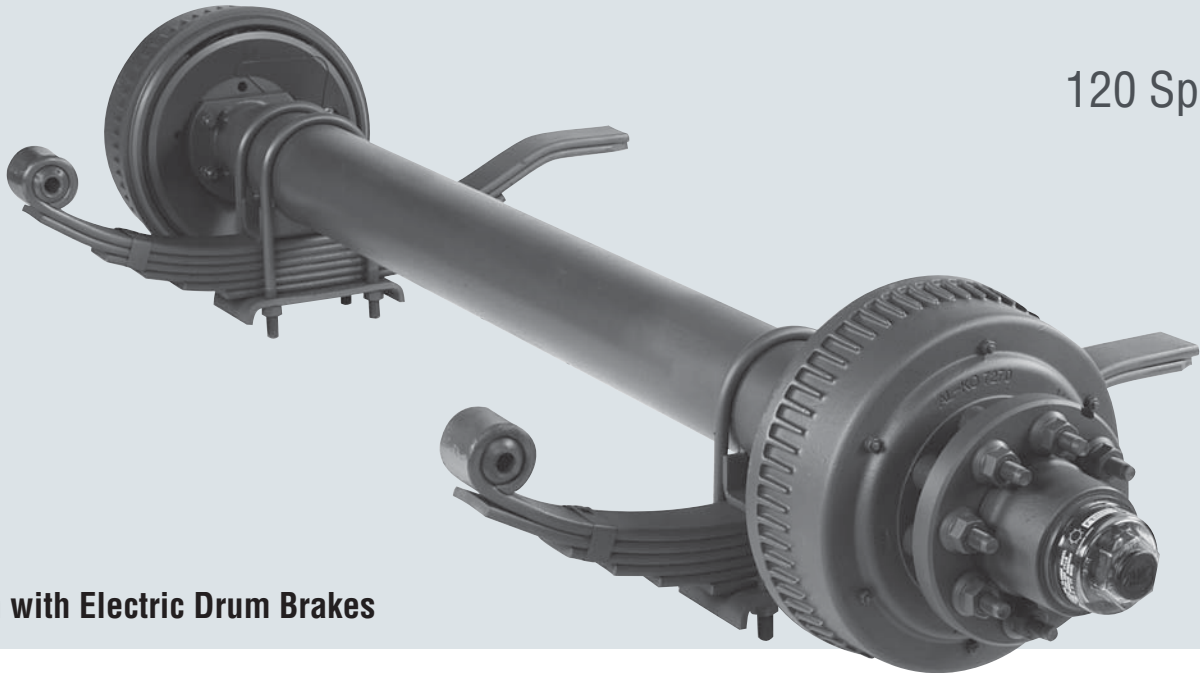
## Part Description

Leaf Spring 5LF/5000 lbs.  
U-Bolt 5/8" x 9 1/2"  
Tie Plate  
U-Bolts Nut 5/8" - 11

## AL-KO Part No.

8131  
5912  
7708  
363851

# 10K Heavy Duty Axle Assembly



120 Spindle

Shown with Electric Drum Brakes

## Features

AL-KO's Heavy Duty 10K axle is specifically designed to meet the severe conditions associated with extended cargo loads.

50,000 PSI, 5" x 1/4" wall tubing is swaged and friction welded to the 120 spindle creating a weld which is stronger than the base metal. 5" x 5/16" wall tubing is used for air ride application.

Axles equipped with drum brakes have a two piece hub and drum assembly which has a replaceable steel armature plate for use with electric brakes. AL-KO oil caps are molded from high strength polycarbonate to minimize breakage and leakage. Bearings are lubricated with SAE 90 weight oil to assure long bearing life.

Standard pilot is 4.88 on a 8 on 6.5" bolt circle, using 5/8" swiveling flange nuts. Other hub pilots and wheel fasteners are available upon request.

## Standard Specifications

Track*	74.00"	71.00"	70.00"	68.00"	66.00"
Hub Face	73.50"	70.50"	69.50"	67.50"	65.50"
Spring Center	46.00"	43.00"	42.00"	40.00"	38.00"
Over All	95.25"	92.25"	91.25"	89.25"	87.25"

\*Track assumes a wheel disc thickness of 1/4".

## Part Description

Leaf Spring 5LF/5000 lbs.  
 U-Bolt 5/8" x 9 1/2"  
 Tie Plate  
 U-Bolts Nut 5/8" - 11

## AL-KO Part No.

8131  
 5912  
 7708  
 363851

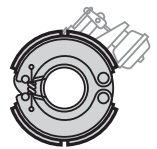
## Available Brake Accessories



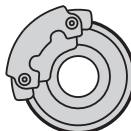
**Electric**  
 12 1/4" x 3 1/2"



**Hydraulic**  
 12 1/4" x 3 1/2"



**Air**  
 12 1/4" 5 1/2"

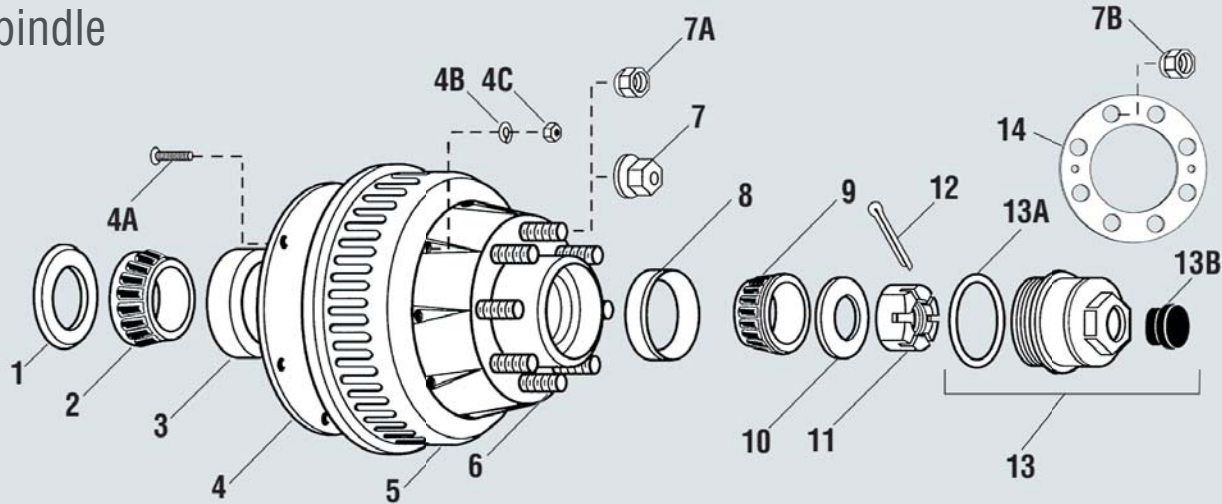


**Hydraulic Disc Brake**

# Hub and Drum Assembly

## General Duty 10K Axle

### 99 Spindle



### Electric or Hydraulic Hub and Drum Assembly

### Features

- The unicast hub and drum assembly has a replaceable steel armature plate for use with electric brakes.
- AL-KO oil caps are molded from high strength polycarbonate to minimize breakage and leakage.

### Parts List

No.	Hub Part Description	AL-KO Part No.	Hayes Part No.
1	Oil Seal	568303	091030
2	Inner Bearing Cone, 28580	568125	093737
3	Inner Bearing Cup, 28521	568152	093736
◆ 4	Armature Plate	568261	092406
◆ 4A	Flat Head Bolt, 1/4" - 20	568263	09070301
◆ 4B	Lock Washer, 1/4"	568264	090502
◆ 4C	Hex Nut, 1/4" - 20	568265	090610
◇*5A	Hub & Drum (F.F.) 4.75" Hub Pilot	568353	09080587
◇ 5B	Hub & Drum (F.F.) 4.88" Hub Pilot	568270	—
* 5C	Hub & Drum (Coined) 4.75" Hub Pilot	568704	—
◇* 6	Wheel Stud, 5/8" x 3" for Single & Flat Face	363910	090737
6	Wheel Stud, 5/8" x 3 1/4" (012) Round	568216	09065602
◇* 7	Dual Wheel Nut - Swiveling Flange 5/8" - 18	568216	09065602
* 7A	Dual Wheel Nut - Fixed Flanged (Coined)	568703	090633
* 7B	Single Wheel Nut 5/8" - 18 90° Cone	363698	090643
8	Outer Bearing Cup, 25520	363911	093701
9	Outer Bearing Cone, 25580	363196	093751
10	Spindle Washer	568136	090525
11	Spindle Nut	568135	090623
12	Cotter Pin	568137	091903
13	Oil Cap Assembly	K568220	K568220
13A	O-Ring, Oil Cap	568222	10693
13B	Oil Cap Plug	568223	092126
14	Wheel Clamp Ring for 5/8" Studs	568348	—

◇ Used with Flat Face Wheels    ◆ For Electric Brake Only

\* Used with Coined Wheel    \* Used with Single Wheel and/or Clamp

Ring

### WARNING:

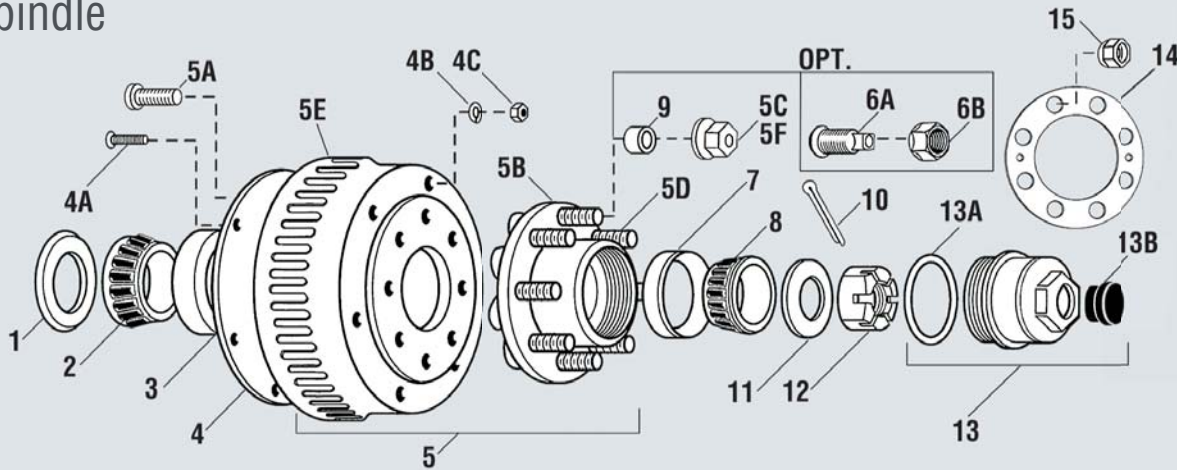
AL-KO Kober Corporation manufacture hubs and drums that are compatible with many wheels used in the trailer industry that have matching bolt patterns. AL-KO does not manufacture wheels, nor do they recommend a specific wheel for compatibility with the hubs and drums they manufacture. The wheel manufacturer should be contacted for proof of compatibility before use.

# Hub and Drum Assembly

## Heavy Duty 10K and 12K Axles



### 120 Spindle



### Parts List

No.	Hub Part Description	AL-KO Part No.	Hayes Part No.
8 STUDS ON 6.50 DIAMETER (flat faced shown)			
1	Oil Seal	568217	091023
2	Inner Bearing Cone JM511946	568219	093717
3	Inner Bearing Cup JM511910	568267	093716
4	Armature Plate	568261	092406
4	Armature Plate w/ Exciter Ring Air Brake	5106	5106
4A	Flat Head Bolt, 1/4" - 20	568263	09070301
4B	Lock Washer, 1/4"	568264	090502
4C	Hex Nut, 1/4" -20	568265	090610
5	Hub & Drum (F.F.) Elec/Hyd 5/8" Stud	568260	09089401
5	Hub & Drum (Coined) Elec/Hyd 5/8" Stud	090871	090871
5	Hub & Drum (F.F.) Air 5/8" Stud	09089411	09089411
5	Hub & Drum (Coined) Air 5/8" Stud	09080638	09080638
5	Hub & Drum (F.F.) Elec/Hyd 3/4" Stud	09089408	09089408
5	Hub & Drum (Coined) Elec/Hyd 3/4" Stud	09080631	09080631
* 5	Hub & Drum (F.F.) Air 3/4" Stud	09089415	09089415
** 5	Hub & Drum (Coined) Air 3/4" Stud	09080637	09080637
5A	Hub & Drum Mounting Bolt	568262	090745
5B	Hub Assembly (F.F.) 5/8" Stud	568215	09089371
5B	Hub Assembly (Coined) 5/8" Stud	090884	090884
* 5B	Hub Assembly (F.F.) 3/4" Stud	09089372	09089372
** 5B	Hub Assembly (Coined) 3/4" Stud	09080630	0908063
5C	Dual Wheel Nut Swiveling Flange 5/8"	568216	09065602
5C	Swiveling Flange Nut 3/4" (F.F.) 1 1/8"	09065603	09065603
5D	Wheel Stud 5/8" - 18	363910	090737
5D	Wheel Stud 3/4"	09077115	09077115
5E	Drum Only 12.25" x 5.5" L/Armature	090907	090907
5E	Drum Only Elec/Hyd 12.25" x 3.5" L/Armature	568699	090904
6B	Flange Nut, 3/4" (Coined)	09065105	09065105
7	Outer Bearing Cup JM205110	568266	093714
8	Outer Bearing Cone JM205149	568218	093715
10	Cotter Pin	568137	091903
11	Spindle Washer 1 1/2"	568136	090525
12	Spindle Nut	568135	0906323
13	Oil Cap Assembly	K568220	K568220
13A	O-Ring	568222	10693
13B	Plug	568223	092126

No.	Hub Part Description	AL-KO Part No.	Hayes Part No.
* 14	Wheel Clamp Ring for 5/8" Studs	568348	—
15	Wheel Nut 5/8" - 18 90° Cone	363698	—
6 STUDS ON 8.75 DIAMETER			
5	Hub Drum Assembly (Air)	09080724	09080724
5B	Hub	09080786	09080786
5D	Stud 3/4" x 3 1/2"	09077116	09077116
5F	Swiveling Flange Nut - 2" Flange	09065114	09065114
9	Wheel Stud Sleeve	09141905	09141905
HUB WITH DOUBLE CAP NUTS			
5B	RH Hub	09083510	09083510
5B	LH Hub	09083511	09083511
5D	Stud 3/4" RH	09077152	09077152
5D	Stud 3/4" LH	09077153	09077153
6A	Inner Cap Nut RH (Steel Wheels)	09065110	09065110
6A	Inner Cap Nut LH (Steel Wheels)	09065111	09065111
6B	Outer Cap Nut RH (Steel Wheels)	09065112	09065112
6B	Outer Cap Nut LH (Steel Wheels)	09065113	09065113
10 STUDS ON 8.75 DIAMETER			
5	Hub Drum Assembly (Air)	09080721	09080721
5B	Hub	09080783	09080783
5D	Stud 3/4"	09077116	09077116
5F	Swiveling Flange Nut - 2" Flange	09065114	09065114
9	Wheel Stud Sleeve	09141905	09141905
HUB WITH DOUBLE CAP NUTS			
5B	RH Hub	09083530	09083530
5B	LH Hub	09083531	09083531
5D	Stud 3/4" RH	09077152	09077152
5D	Stud 3/4" LH	09077153	09077153
6A	Inner Cap Nut RH (Steel Wheels)	09065110	09065110
6A	Inner Cap Nut LH (Steel Wheels)	09065111	09065111
6B	Outer Cap Nut RH (Steel Wheels)	09065112	09065112
6B	Outer Cap Nut LH (Steel Wheels)	09065113	09065113

\*Used with Flat Face Wheels    \*\*Used with Coin In-Out Wheels (Replacement only)

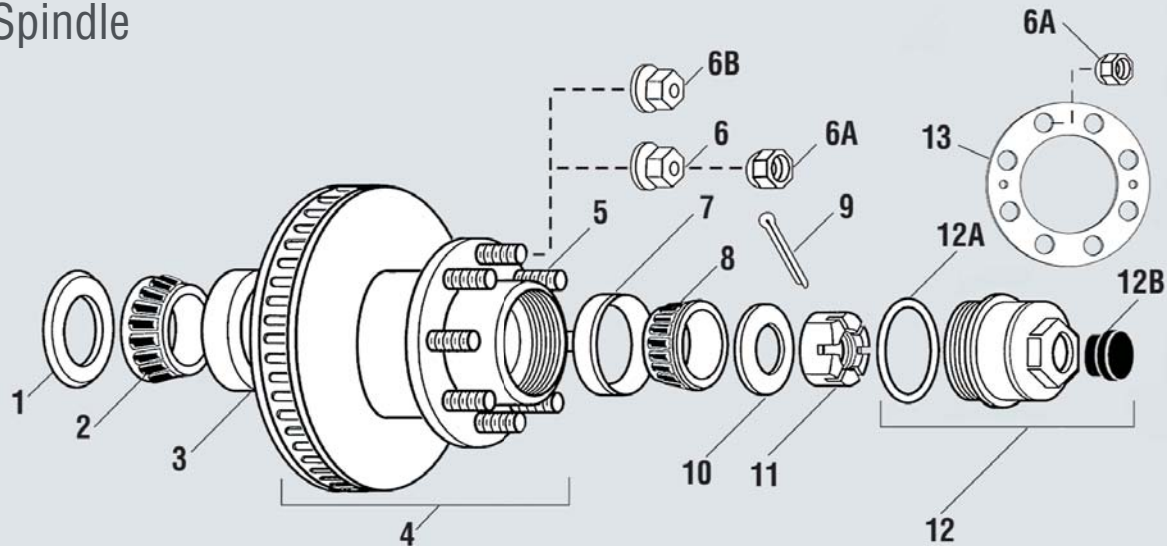
10 - 16K



# Hub and Drum Assembly

## 10K and 12K Disc Brake Axles

### 120 Spindle



### Parts List

No.	Hub Part Description	AL-KO Part No.	Hayes Part No.
8 STUDS ON 6.50" DIAMETER			
1	Oil Seal	568217	091023
2	Inner Bearing Cone JM511946	568219	093717
3	Inner Bearing Cup JM511910	568267	093716
4	Hub & Rotor F.F. 5/8"	09089421	09089421
4	Hub & Rotor Coined 5/8"	090814	090814
4	Hub & Rotor F.F. 3/4"	09089425	09089425
4	Hub & Rotor Coined 3/4"	09080632	09080632
5	Wheel Stud 5/8" - 18	363910	090737
5A	Wheel Stud 3/4"	09077115	09077115
*6	5/8" Swiveling Flange Nut	568216	09065602
6A	5/8" 90° Cone Wheel Nut	363698	090643
**6B	5/8" Flanged Wheel Nut	568703	090633

No.	Hub Part Description	AL-KO Part No.	Hayes Part No.
**6B	3/4" Flanged Wheel Nut	09065105	09065105
*6	3/4" Swiveling Flange Nut - 1 5/8" Flange	09065603	09065603
7	Outer Bearing Cup JM205110	568266	093714
8	Outer Bearing Cone JM 205149	568218	093715
9	Cotter Pin	568137	091903
10	Spindle Washer 1 1/2"	568136	090525
11	Spindle Nut	568135	090623
12	Plastic Oil Cap Assembly	K568220	K568220
12A	O-Ring	568222	10693
12B	Rubber Plug	568223	092126
13	Wheel Clamp Ring for 5/8" Studs	568348	—

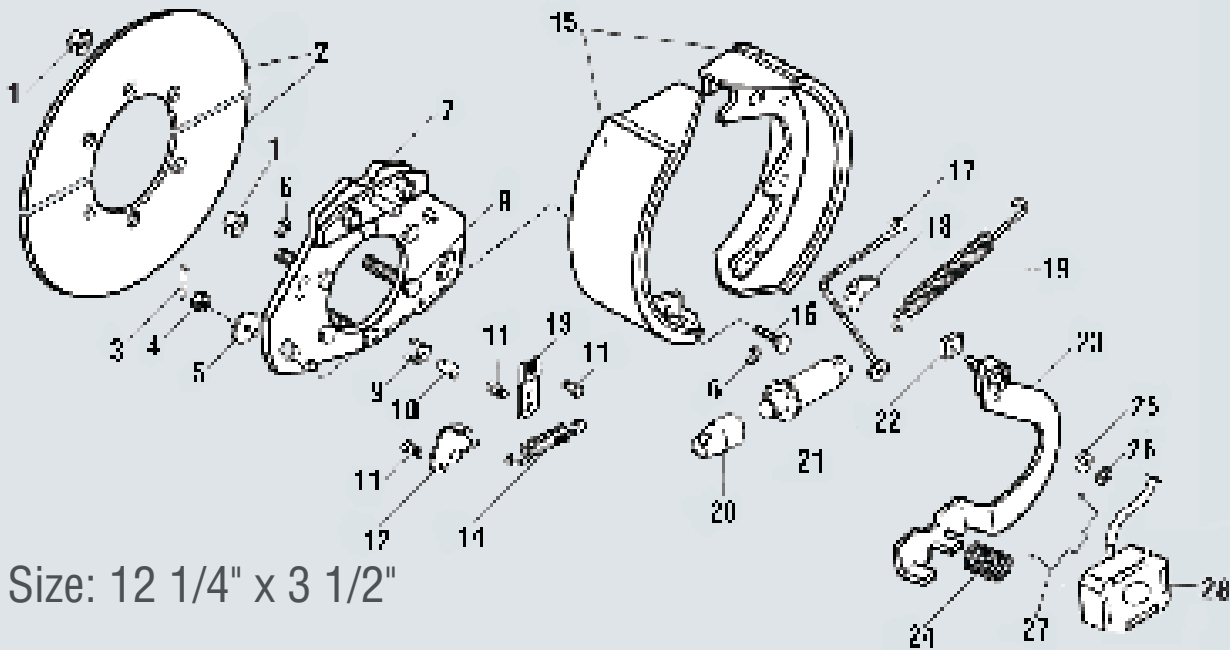
\*Used with Flat Face Wheels      \*\*Used with Coined Wheels

### WARNING:

AL-KO Kober Corporation manufacture hubs and drums that are compatible with many wheels used in the trailer industry that have matching bolt patterns. AL-KO does not manufacture wheels, nor do they recommend a specific wheel for compatibility with the hubs and drums they manufacture. The wheel manufacturer should be contacted for proof of compatibility before use.

# Electric Brake

## 10K and 12K Axles



Brake Size: 12 1/4" x 3 1/2"

### Parts List

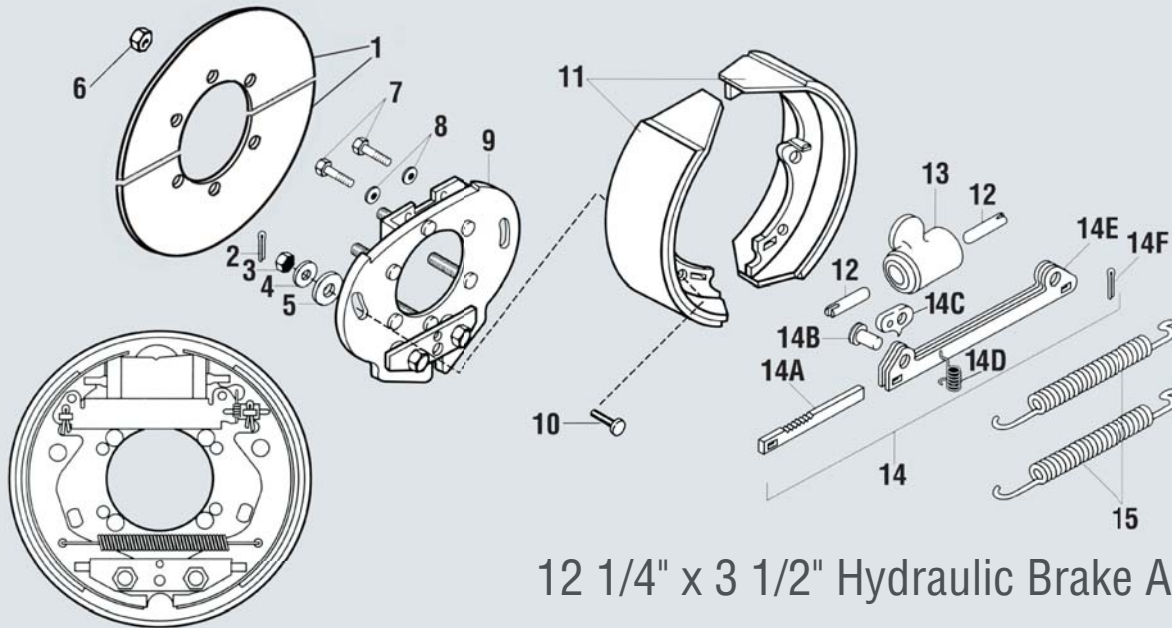
No.	Hub Part Description	AL-KO Part No.	Hayes Part No.	No.	Hub Part Description	AL-KO Part No.	Hayes Part No.
0	RH Brake Assembly Complete (Shown)	K568255.1	568255.1	16	Shoe Hold Down Bolt	568227	090759
0	LH Brake Assembly Complete	K568255.2	568255.2	17	Cable Assembly	568245	096936
1	Brake Attaching Nut, 1/2" - 20	568022	090617	18	Cable Guide	568246	5758
2	Metal Dust Cover (2 Required)	1531044	—	19	Shoe Retract Spring	568226	5609
3	Shoe Hold Down Cotter Pin	568224	091905	20	Self Adjuster Socket	568272	602723
4	Shoe Hold Down Nut	1530283	090647	21	RH Adjuster Assembly (Shown)	568256	602717
5	Shoe Hold Down Washer	568232	090541	21	LH Adjuster Assembly	568257	602718
6	Pin Retaining "C" Clip	568249	096806	22	Slipper Block	568242	096939
7	Backing Plate Assembly	—	—	23	RH Lever Assembly (Shown)	568236	60313501
8	Brake Mounting Stud 1/2" - 20	363908	—	23	LH Lever Assembly	568237	60313601
9	Strain Relief Adapter	568258	096937	24	Magnet Spring	568240	09652915
10	Strain Relief	568243	092715	25	Lever Retaining Washer	568248	090540
11	Self Adjuster Pivot Pin	568238	096618	26	Lever Retaining "E" Clip	568247	096803
12	RH Auto Adjust Lever (Shown)	1531074	—	27	8K - 16K Magnet Retention Spring	5614	5614
12	LH Auto Adjust Lever	1531075	—	28	Magnet	—	—
13	Self Adjuster Bias Level	568241	096323	29	Magnet Assembly Kit contains #9, #10, #24, #27, #28	K568252	K568252
14	Self Adjuster Spring	568239	096523				
15	Shoe & Lining Kit	K568251	K568251				

#### WARNING:

AL-KO Kober Corporation manufacture hubs and drums that are compatible with many wheels used in the trailer industry that have matching bolt patterns. AL-KO does not manufacture wheels, nor do they recommend a specific wheel for compatibility with the hubs and drums they manufacture. The wheel manufacturer should be contacted for proof of compatibility before use.

# Hydraulic Brake

## 10K and 12K Axles



12 1/4" x 3 1/2" Hydraulic Brake Assembly

### Parts List

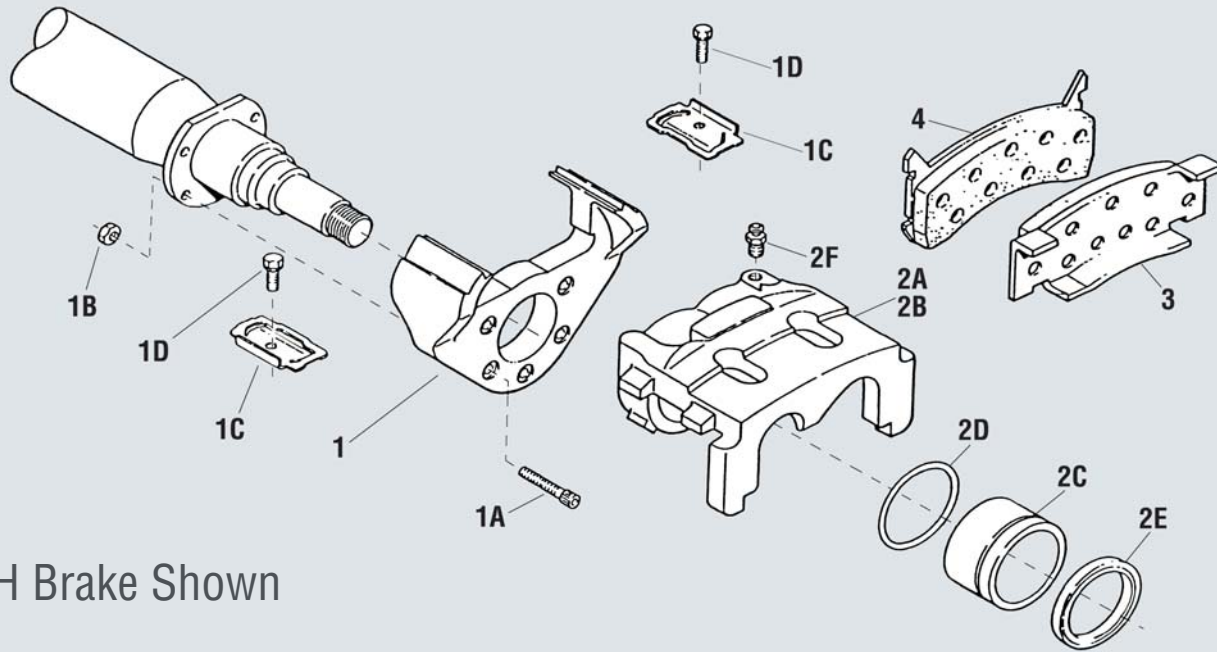
No.	Hub Part Description	AL-KO Part No.	Hayes Part No.	No.	Hub Part Description	AL-KO Part No.	Hayes Part No.
0	LH or RH Brake Assembly	K568213	60206801	11	Shoe & Lining Kit	K568234	K568234
1	Dust Cover Assembly (Upper)	1531045	—	12	Push Rod	568228	09550003
1	Dust Cover Assembly (Lower)	1531044	—	13	Cylinder - Wheel	568214	09550001
2	Show Hold Down Cotter Pin	568224	09190501	14	Self-Adjuster Assembly	568259	60273001
3	Show Hold Down Nut	568233	090654	14A	Rack	—	—
4	Shoe Hold Belleville Washer	568225	568225	14B	Clevis Pin 3/8" x 3/4"	—	—
5	Shoe Hold Down Washer	568232	090541	14C	Pawl	—	—
6	Brake Attaching Nut 1/2" - 20	568235	090617	14D	Spring Pawl	—	K568220
7	Bolt 3/8" - 16 x 3/4"	568231	090718	14E	Sleeve Assembly	—	—
8	Lock Washer 3/8"	363334	090532	14F	Cotter Pin 5/32" x 3/4"	—	—
9	Backing Plate Assembly	—	—	15	Shoe Retract Spring	568226	09652912
10	Show Hold Down Bolt	568227	090759	16	Connector-Brake Line (Not Shown)	568230	09344501

#### WARNING:

AL-KO Kober Corporation manufacture hubs and drums that are compatible with many wheels used in the trailer industry that have matching bolt patterns. AL-KO does not manufacture wheels, nor do they recommend a specific wheel for compatibility with the hubs and drums they manufacture. The wheel manufacturer should be contacted for proof of compatibility before use.

# Disc Brake

## 10K and 12K Axles



RH Brake Shown

### Parts List

No.	Hub Part Description	AL-KO Part No.	Hayes Part No.	No.	Hub Part Description	AL-KO Part No.	Hayes Part No.
1	Torque Plate	09045901	09045901	2C	Caliper Piston	—	096930
1A	Torque Plate Mounting Bolt	—	090756	2D	Caliper Piston Seal (Sold as K080862)	—	77564
1B	Torque Plate Mounting Nut	—	090617	2E	Piston, Rubber Boot (Sold as K080862)	—	09443501
1C	Retainer Plate	—	09633700	2F	Bleeder Screw (Not Sold Alone)	—	—
1D	Retainer Plate Bolt & Lockwasher	—	087805	3	Outer Brake Pad ( Sold as KSL116)	—	093613
2A	Caliper Assembly LH	—	09231512	4	Inner Brake Pad (Sold as KSL116)	—	093608
2B	Caliper Assembly RH (Shown)	—	09231511				

#### WARNING:

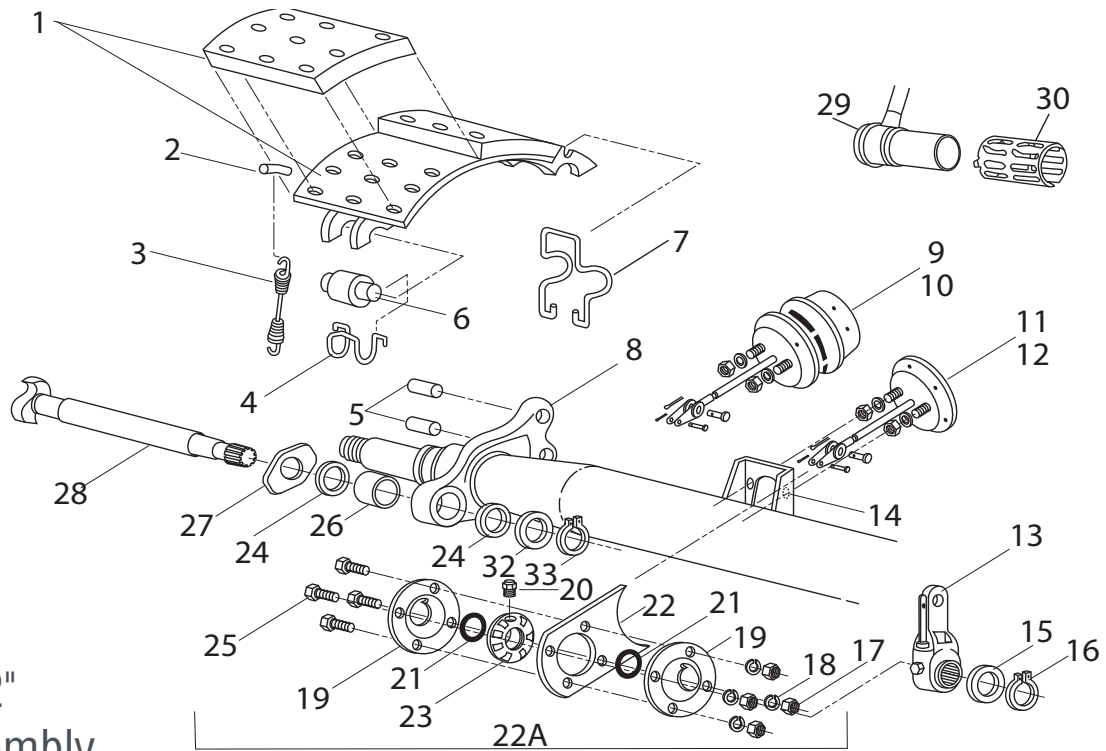
AL-KO Kober Corporation manufacture hubs and drums that are compatible with many wheels used in the trailer industry that have matching bolt patterns. AL-KO does not manufacture wheels, nor do they recommend a specific wheel for compatibility with the hubs and drums they manufacture. The wheel manufacturer should be contacted for proof of compatibility before use.



# Air Brake

## 10K, 12K and 16K Axles

12 1/4" x 5 1/2"  
Air Brake Assembly



### Parts List

No.	Hub Part Description	AL-KO Part No.	Hayes Part No.	No.	Hub Part Description	AL-KO Part No.	Hayes Part No.
1	Brake Lining Assembly Kit	KSL137	KSL137	20	Grease Fitting 1/4"	—	09367132
2	Spring Retainer (Incl. KSL137)	—	09680822	*21	O-Ring	—	—
3	Return Spring (Incl. KSL137)	—	096529	*22	Plate Mounting (Flat)	—	—
4	Roller Retainer (Incl. KSL137)	—	09680821	22A	Cam Bracket Assembly	—	09694696
5	Anchor Pin (Incl. KSL137)	—	09662640	*23	Cam Bushing	—	—
6	Cam Roller (Incl. KSL137)	—	09662631	24	Grease Seal	—	09103310
7	Anchor Pin Retainer (U-Spring) (Incl. KSL137)	—	09680823	*25	Cam Screw	—	—
*8	Brake Spider Assembly	—	—	26	Nylon Spider Bushing	—	09141907
9	Spring Brake 20-24 w/Hdwe - Opt.	—	09694634	27	Spacer - Flat D-Washer	—	09054716
10	Spring Brake 24-24 w/Hdwe 16K - Opt.	—	09695052	28	Camshaft 21.25 RH 28 Spline (Std.)	—	09694806
11	Air Chamber No. 20 w/Hdwe	—	09694673	28	Camshaft 21.25 LH 28 Spline (Std.)	—	09694807
12	Air Chamber No. 24 w/Hdwe 16K	—	09694852	28	Camshaft 23.5 RH 28 Spline	—	09694824
13	5" Auto Slack Adjuster 28-Spline	—	09695009	28	Camshaft 23.5 LH 28 Spline	—	09694825
*14	Air Chamber Brake (Std.)	—	09356108	29	Sensor & Cable for ABS	—	09695100
15	Spacer Washer	—	09680825	30	Sensor Clip for ABS	—	09695101
16	Snap Ring	—	09680824	31	Nut & Collar Kit for Slack Adjuster (Not Shown)	—	09695011
*17	Nut	—	—	32	Camshaft Snap Ring	—	09680820
*18	Lock Washer	—	—	33	Camshaft Washer	—	09054715
*19	Cam Bush Housing	—	—				

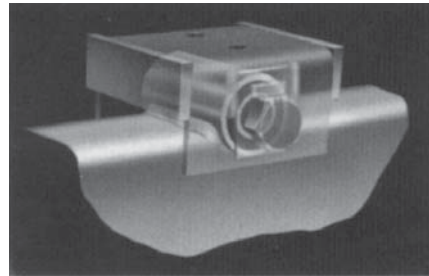
\*Items not available for purchase separately. Available only on Axle Beam or with 22A Cam Bracket Assembly.

# Anti-Hop Suspension

10K, 12K and 16K Axles



## THE AL-KO ANTI-HOP SUSPENSION: Rugged - Dependable!



**Equalizer articulation is accomplished through AL-KO's unique rubber element that features an outer steel shell and inner steel sleeve.**

### **FOR ANTI-HOP SUSPENSION - SPECIFY AL-KO AXLES!**

AL-KO anti-hop suspension systems are available in tandem or tri-axle models.

The AL-KO anti-hop suspension systems virtually eliminates front axle hop during braking with light loads, while improving braking performance and tire wear through reduced load transfer from front to rear axle during braking. In addition, the anti-hop design eliminates the need for a front axle resistor on tandem axle trailers equipped with electric brakes.

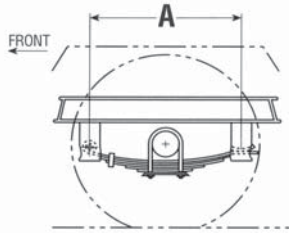
AL-KO anti-hop suspension systems feature rubber bushed pivot point that require no lubrication and reduce road shock; a replaceable high strength steel wear roller in suspension equalizer; full 2 1/2 inch wide slipper springs, 4, 5, and 6-leaf with rubber bushings at spring eyes; a steel wear block on rear hanger; and anti-rotational washers to prevent loosening.

The AL-KO anti-hop system provides the ultimate suspension performance and is standard with 10K, 12K, and 16K axles sizes.

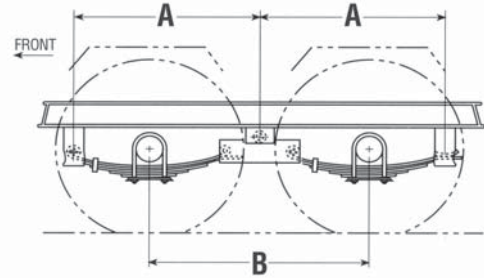
# Attaching Parts Kits

AL-KO 10K - 16K

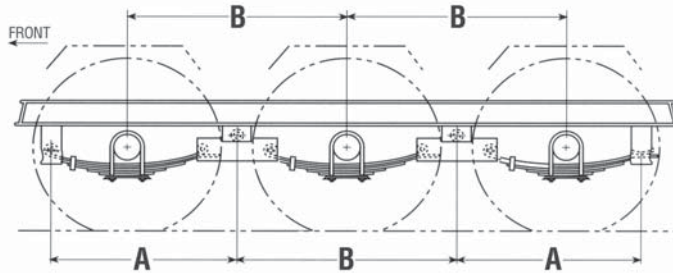
## SINGLE AXLE



## TANDEM AXLE



## TRIPLE AXLE



### Parts List

Single AP Kit: Part No. 9941  
A - 29 1/4" B - N/A Equalizer - N/A

Qty.	Part Description	AL-KO Part No.
2	Front Hanger	7417
2	Rear Hanger	7418
4	Hanger Nut, 3/4" - 10 UNC Lock	6715
2	Hanger Bolt, 3/4" - 10 UNC-2A x 4 3/4"	5821
2	Torque Warning Decal	8007

Tandem AP Kit: 42 1/4" - Part No. 9937  
A - 35 1/2" B - 42 1/4" Equalizer - 15 3/4"

Qty.	Part Description	AL-KO Part No.
2	Front Hanger	7417
2	Rear Hanger	7418
2	Center Hanger	7416
1	RH Equalizer	8320
1	LH Equalizer	8319
2	Equalizer Nut, 1" - 8 UNC Lock	6716
4	Hanger Nut, 3/4" - 10 UNC Lock	6715
2	Equalizer Bolt, 1" - 8 UNC-2A x 6 1/4"	5819
4	Hanger Bolt, 3/4" - 10 UNC-2A x 4 3/4"	5821
2	Torque Warning Decal	8007

Tandem AP Kit: 42 1/4" - Part No. 9938  
A - 38 1/2" B - 48 1/4" Equalizer - 21 3/4"

Qty.	Part Description	AL-KO Part No.
2	Front Hanger	7417
2	Rear Hanger	7418
2	Center Hanger	7416
1	RH Equalizer	8316
1	LH Equalizer	8315
2	Equalizer Nut, 1" - 8 UNC Lock	6716
4	Hanger Nut, 3/4" - 10 UNC Lock	6715

### Parts List

Tandem AP Kit: 48 1/4" - Part No. 9938 (continued)

Qty.	Part Description	AL-KO Part No.
2	Equalizer Bolt, 1" - 8 UNC-2A x 6 1/4"	5819
2	Hanger Bolt, 3/4" - 10 UNC-2A x 4 3/4"	5821
2	Torque Warning Decal	8007

Triple AP Kit: 42 1/4" - Part No. 9939  
A - 35 1/2" B - 42 1/4" Equalizer - 15 3/4"

Qty.	Part Description	AL-KO Part No.
2	Front Hanger	7417
2	Rear Hanger	7418
4	Center Hanger	7416
2	RH Equalizer	8320
2	LH Equalizer	8319
4	Equalizer Nut, 1" - 8 UNC Lock	6716
6	Hanger Nut, 3/4" - 10 UNC Lock	6715
4	Equalizer Bolt, 1" - 8 UNC-2A x 6 1/4"	5819
6	Hanger Bolt, 3/4" - 10 UNC-2A x 4 3/4"	5821
2	Torque Warning Decal	8007

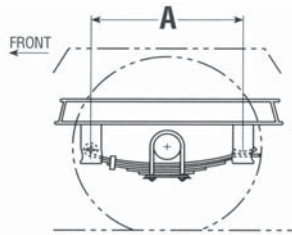
Triple AP Kit: 42 1/4" - Part No. 9940  
A - 38 1/2" B - 48 1/4" Equalizer - 21 3/4"

Qty.	Part Description	AL-KO Part No.
2	Front Hanger	7417
2	Rear Hanger	7418
4	Center Hanger	7416
2	RH Equalizer	8316
2	LH Equalizer	8315
4	Equalizer Nut, 1" - 8 UNC Lock	6716
6	Hanger Nut, 3/4" - 10 UNC Lock	6715
4	Equalizer Bolt, 1" - 8 UNC-2A x 6 1/4"	5819
6	Hanger Bolt, 3/4" - 10 UNC-2A x 4 3/4"	5821
2	Torque Warning Decal	8007

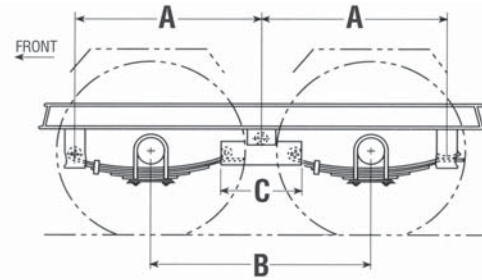
## Attaching Parts Kits

AL-KO 10K - 16K

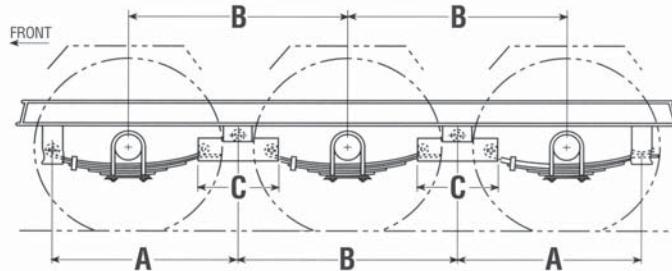
### SINGLE AXLE



### TANDEM AXLE



### TRIPLE AXLE



### Parts List

16K Single AP Kit: Part No. 60190801  
 16K Tandem AP Kit : Part No. 60190804  
 16K Triple AP Kit: Part No. 60190805

### AL-KO & Hayes Suspension Components

Single	Quantity Tandem	Triple	Description	Hayes Part No.
1	2	2	Front Hanger	09282404
	2	2	Rear Hanger	09282403
—	2	2	Center Hanger	09292500
—	1	2	RH Equalizer	See Above
—	1	2	LH Equalizer	See Above
—	2	4	Equalizer Nut, 1" - 8 UNC Lock	090636
4	4	6	Hanger Nut, 3/4" - 10 UNC Lock	090637
—	2	4	Equalizer Bolt, 1" - 8 UNC-2A x 6 1/4"	090746
2	4	6	Hanger Bolt, 3/4" - 10 UNC-2A x 4 3/4"	090754

Spring	9K 4LF 4500LB	10K 5LF 5000LB	12K 6LF 6250LB	16K 6LF 8000LB
<b>AL-KO</b>	<b>8130</b>	<b>8131</b>	<b>8132</b>	—
Hayes	093175	093161	09318211	09318214
<b>U-Bolt</b>	<b>9K</b> 5/8" x 9 1/2"	<b>10K</b> 5/8" x 9 1/2"	<b>12K</b> 5/8" x 10 1/2"	<b>16K</b> 5/8" x 10 1/2"
<b>AL-KO</b>	<b>5912</b>	<b>5912</b>	<b>5913</b>	<b>5913</b>
Hayes	091148	091148	091126	091126
<b>U-Bolt Nut</b>	<b>9K</b> 5/8" - 11	<b>10K</b> 5/8" - 11	<b>12K</b> 5/8" - 11	<b>16K</b> 5/8" - 11
<b>AL-KO</b>	<b>6713</b>	<b>6713</b>	<b>6713</b>	<b>6713</b>
Hayes	090622	090622	090622	090622
<b>Tie Plate</b>	<b>9K</b> Slotted	<b>10K</b> Slotted	<b>12K</b> Slotted	<b>16K</b> Slotted
<b>AL-KO</b>	<b>7708</b>	<b>7708</b>	<b>7708</b>	<b>7708</b>
Hayes	09123716	09123716	09123716	09123716

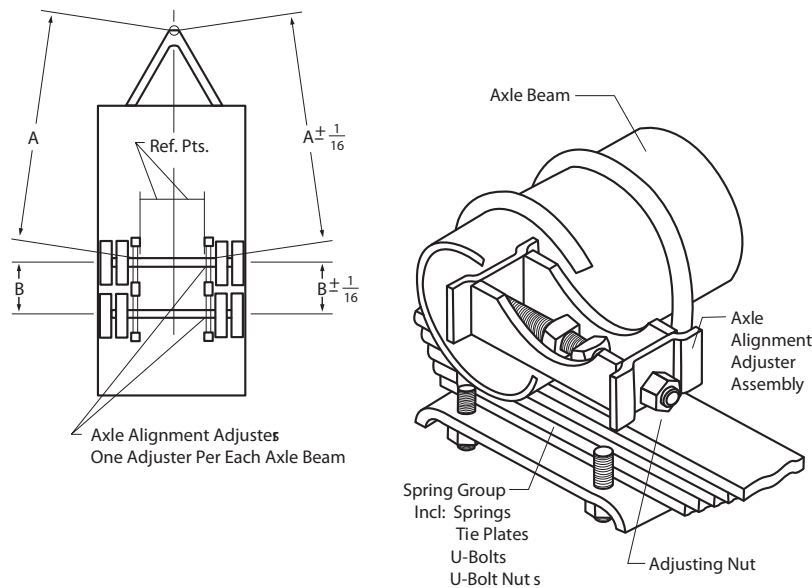
### Equalizer

RH	LH	A	B	C
09138707	09138706	33 3/8"	38"	11 1/2"
09138709	09138708	35 1/2"	42 1/4"	15 3/4"
09138711	09138710	38 1/2"	48 1/4"	21 3/4"
Single AP Kit		29 1/4"	—	—

# Axle Alignment Adjuster

## 10K - 16K Suspension Systems

### ADJUSTABLE SPRING PAD Axle Adjustment During Installation




### OPTIONAL: SPECIFY WHEN ORDERING

The adjusters, nestled inside the spring pads, are installed when the axle is built. On completion of a trailer, the builder need only check distances from the hitch to reference points on the axle beam equidistant from the axle's center (see Figure 1). If these dimensions differ by more than 1/16 inch, adjustment is necessary and may be accomplished as follows:

1. Slightly loosen the U-Bolt nuts on the axle end containing the adjuster. Only one end of the axle is equipped with an adjuster.
2. Turn and adjusting nut clockwise or counterclockwise as necessary to bring the axle into proper alignment (each adjuster provides one full inch of travel).
3. Retorque the U-Bolt nuts to 120 ft. lbs. each to secure the axle.
4. On multiple axle trailers, the second and third axles may be similarly aligned after checking distances between them and the previously aligned lead axle (see Figure 1).



 **WARNING:** Be sure to read and understand the following information before installing wheels. Installation of wheels which are not compatible with the axle assembly could result in wheel separation which can lead to property damage, serious personal injury, or loss of life.

AL-KO Kober Corporation manufacture hubs and drums that are compatible with many wheels used in the trailer industry that have matching bolt patterns. AL-KO does not manufacture wheels, nor do they recommend a specific wheel for compatibility with the hubs and drums they manufacture. The wheel manufacturer should be contacted for proof of compatibility before use.

Customers using wheels which have not been tested for compatibility must do so to insure they are compatible with AL-KO hubs and drums. Elements of compatibility include but are not limited to:

- Diameter of the hub mounting surface.
- Stud length and diameter.
- Location and number of studs.
- Center hole diameter for the wheel.
- wheel mounting offset from the rim center.
- Rated capacity of the wheel.
- Wheel fastener torque.
- Wheel nut size and shape.
- Impact of the use of any wheel accessories (such as decorative center caps) that could affect the proper seating of the wheel to the hub surface.

A cornering fatigue test based on SAE J1095/SAE J267 and field tests are recommended for all wheels and rims to be installed on AL-KO hubs and drums. These tests require special expertise and equipment.

Persons without such equipment should contact the wheel manufacturer to verify that a wheel is compatible with the AL-KO hubs and drums. AL-KO Kober Corporation is not responsible for wheels or rims that are installed on their hubs or drums.

# Optional Hub Wheel Pilots

## 10K and 12K Axles with 5/8" Studs

(Excludes Hayes 12K with 3/4" studs)

**AL-KO standard axles are built using a 4.88 diameter hub pilot for flat face wheels. Wheels are attached with swiveling flange nuts, supplied with the axles.**

Optional hub wheel pilots available when requested:

### 4.75 diameter hub pilot, coined

- For coined in and out dual wheels, using a one piece flanged wheel nut, stud piloted, typically used for replacement only.
- For single wheels using
  1. 90 degree wheel nut.
  2. Swiveling flange wheel nuts.
  3. Tension ring and 90 degree wheel nuts.
- For dual flat face wheels using
  1. Swiveling flange wheel nuts.
  2. Tension ring and 90 degree wheel nuts.

### 4.75 diameter hub pilot, flat face

- For single wheels using
  1. 90 degree wheel nut
  2. Swiveling flange wheel nuts.
  3. Tension ring and 90 degree wheel nuts.
- For dual flat face wheels using
  1. Swiveling flange wheel nuts.
  2. Tension ring and 90 degree wheel nuts.

### 4.88 diameter hub pilot, flat face

- For dual flat face wheels, using a tension ring and 90 degree wheel nuts.
- For single wheels using
  1. 90 degree wheel nut.
  2. Tension ring and 90 degree wheel nuts.

Flat face wheel pilots must be the same pilot diameter as the hub on which they are used.

#### **WARNING:**

AL-KO Kober Corporation manufacture hubs and drums that are compatible with many wheels used in the trailer industry that have matching bolt patterns. AL-KO does not manufacture wheels, nor do they recommend a specific wheel for compatibility with the hubs and drums they manufacture. The wheel manufacturer should be contacted for proof of compatibility before use.

